

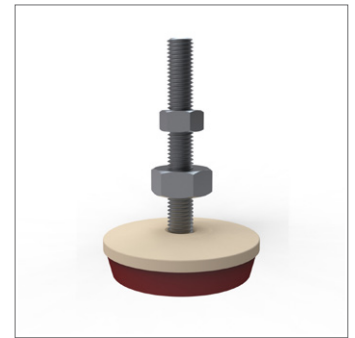
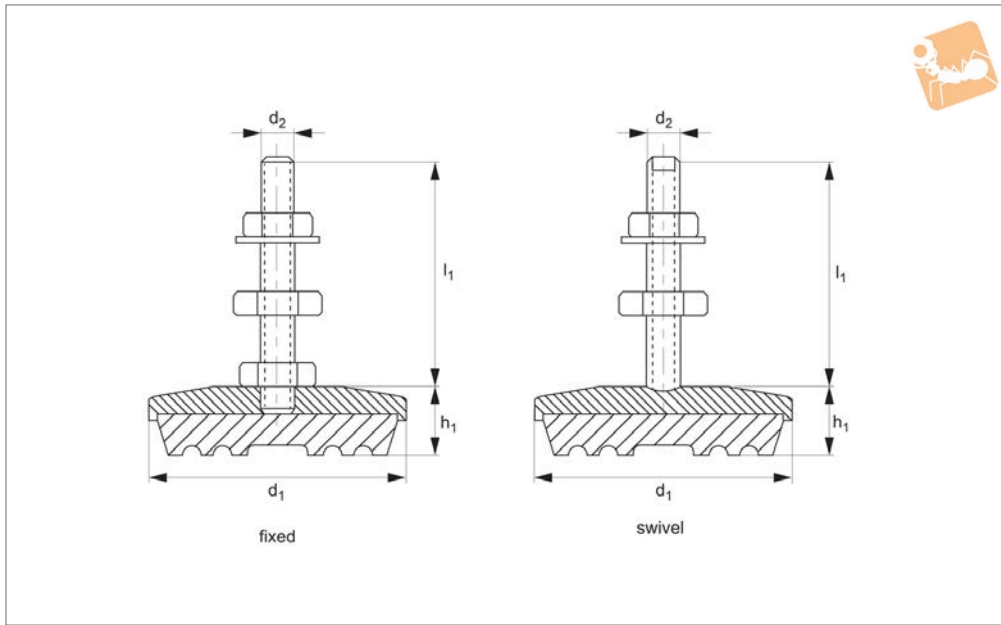


# Heavy Duty Machine Mounts

polyurethane base



## Levelling Feet



**P2152**

LEVELLING FEET

### Material

Steel (GGG-40) coated body with zinc plated thread. Polyurethane base (65-90 Shore A).

deflection and maximum adherence due to shape of base.

Resistant to water, oil, high and low temperatures, abrasions and shocks.

tions where there is high risk of deterioration due to oil and other substances. Also available in stainless steel - see product number P2161.

### Technical Notes

High resistance machine mounts, little

### Tips

Suitable for heavy machining and condi-

Order No.	Style	d <sub>1</sub>	h <sub>1</sub>	d <sub>2</sub>	l <sub>1</sub>	Load range kgf
P2152.065-F	Fixed	65	22	M12	90	200-800
P2152.100-F	Fixed	100	30	M16	110	800-2000
P2152.120-F	Fixed	120	33	M20	120	2000-4000
P2152.180-F	Fixed	180	40	M20	115	4000-6000
P2152.217-F	Fixed	217	52	M24	145	5000-10000
P2152.100-S	Swivel	100	30	M16	95	500-2000
P2152.120-S	Swivel	120	33	M20	120	2000-4000
P2152.180-S	Swivel	180	40	M20	130	4000-6000
P2152.217-S	Swivel	217	52	M24	150	5000-10000