

## P2182

LEVELLING FEET

### Material

Steel (type 42 CrMo4 V, 1.7225) zinc plated or stainless steel A1 (A4 on request).

### Technical Notes

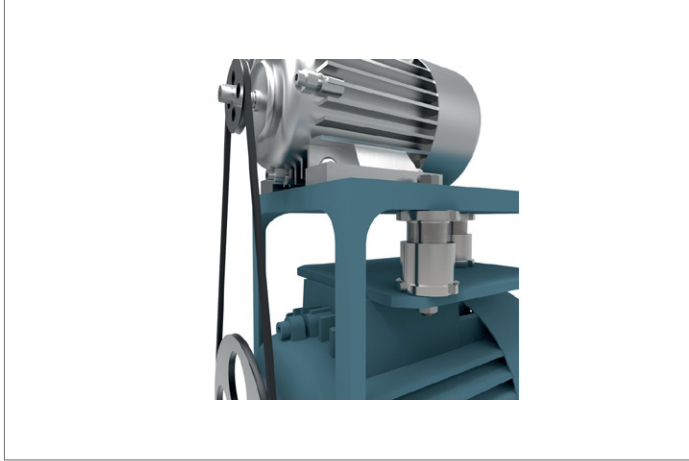
After setting the height, the structure can be bolted down using a suitable 8,8

strength bolt.

The net load that the unit can carry is the maximum load less the tightening torque recommended for the bolt. Designed for applications where a wide adjustment range is required - height adjustment is

equal to 15 to 40mm.

Order No.	Material	For bolt	$h_1$	$h_2$	$h_3$	$d_1$	$d_2$	$d_3$	Load with bolt kN max.	Load w/o bolt kN max.
P2182.028-060-ZP	Steel	M 6	43	28	15	25	6.6	M15x1,0	30.70	40.00
P2182.035-060-ZP	Steel	M 6	55	35	20	32	6.6	M20x1,0	55.70	65.00
P2182.035-080-ZP	Steel	M 8	55	35	20	32	9.0	M20x1,0	48.00	65.00
P2182.035-100-ZP	Steel	M10	55	35	20	32	11.0	M20x1,0	37.90	65.00
P2182.042-100-ZP	Steel	M10	67	42	25	45	11.0	M30x1,5	92.90	120.00
P2182.042-120-ZP	Steel	M12	67	42	25	45	13.5	M30x1,5	80.40	120.00
P2182.042-160-ZP	Steel	M16	67	42	25	45	17.5	M30x1,5	45.50	120.00
P2182.054-160-ZP	Steel	M16	86	54	32	58	17.5	M40x1,5	136.00	210.00
P2182.054-200-ZP	Steel	M20	86	54	32	58	22.0	M40x1,5	90.00	210.00
P2182.054-240-ZP	Steel	M24	86	54	32	58	26.0	M40x1,5	37.00	210.00
P2182.066-200-ZP	Steel	M20	106	66	40	70	22.0	M50x1,5	210.00	330.00
P2182.066-240-ZP	Steel	M24	106	66	40	70	26.0	M50x1,5	157.00	330.00
P2182.066-300-ZP	Steel	M30	106	66	40	70	33.0	M50x1,5	53.00	330.00
P2182.028-060-A2	Stainless steel	M 6	43	28	15	25	6.6	M15x1,0	20.26	27.10
P2182.035-060-A2	Stainless steel	M 6	55	35	20	32	6.6	M20x1,0	36.56	43.40
P2182.035-080-A2	Stainless steel	M 8	55	35	20	32	9.0	M20x1,0	30.86	43.40
P2182.035-100-A2	Stainless steel	M10	55	35	20	32	11.0	M20x1,0	23.41	43.40
P2182.042-100-A2	Stainless steel	M10	67	42	25	45	11.0	M30x1,5	64.01	84.00
P2182.042-120-A2	Stainless steel	M12	67	42	25	45	13.5	M30x1,5	54.82	84.00
P2182.042-160-A2	Stainless steel	M16	67	42	25	45	17.5	M30x1,5	28.90	84.00
P2182.054-160-A2	Stainless steel	M16	86	54	32	58	17.5	M40x1,5	92.90	148.00
P2182.054-200-A2	Stainless steel	M20	86	54	32	58	22.0	M40x1,5	59.08	148.00
P2182.054-240-A2	Stainless steel	M24	86	54	32	58	26.0	M40x1,5	20.30	148.00
P2182.066-200-A2	Stainless steel	M20	106	66	40	70	22.0	M50x1,5	136.08	225.00
P2182.066-240-A2	Stainless steel	M24	106	66	40	70	26.0	M50x1,5	97.30	225.00
P2182.066-300-A2	Stainless steel	M30	106	66	40	70	33.0	M50x1,5	20.60	225.00

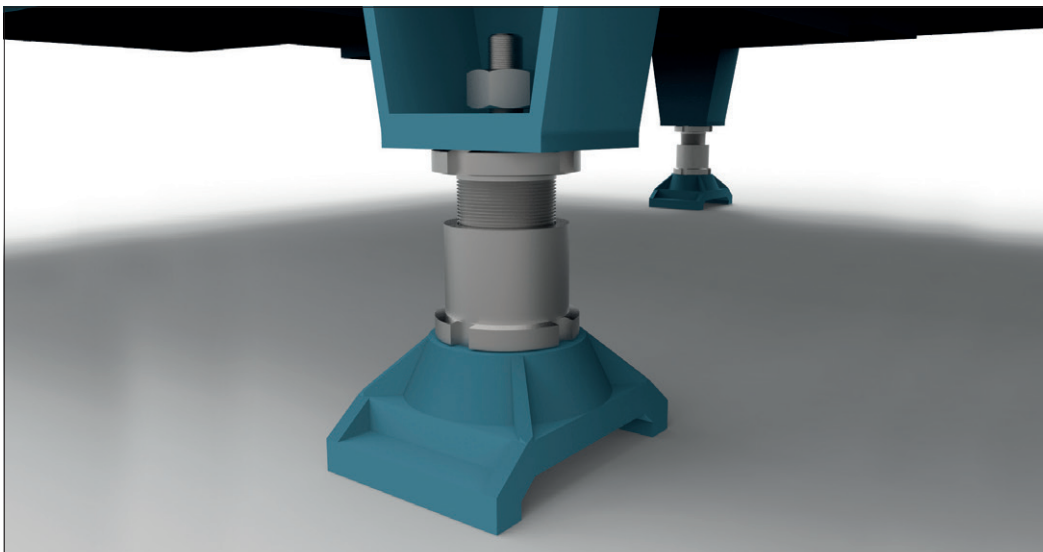




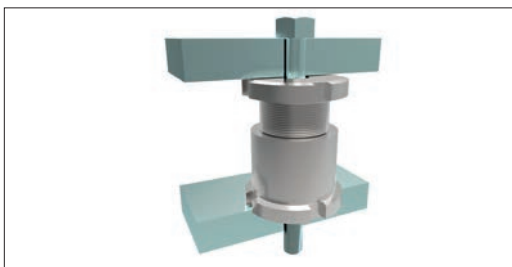
## Advantages

- Precision adjusting and re-adjusting.
- Operational under heavy loads.
- Fast installation.
- Greater vertical alignment (from 4 to 105mm).
- Compensation for non-parallel bearing surfaces.
- Suitable for static and dynamic loads.
- Can be anchored to foundation.

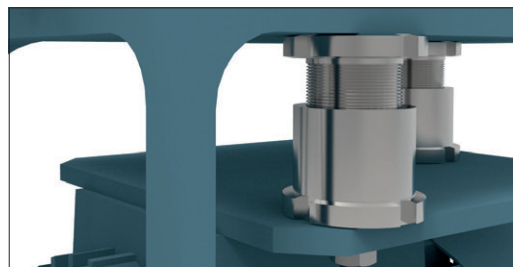
## Applications



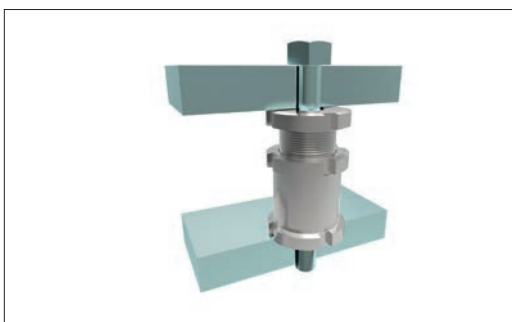
**Grounded field mount** - Precision Leveller no. 62060 in use on a fully metal encapsulated gas-insulated high voltage switch.



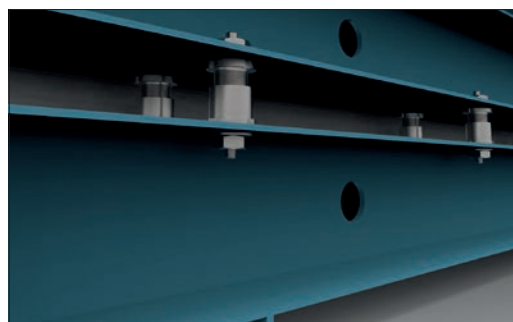
**Test stand** - Precision Levellers provide adjustment for the connection shaft between motor and transmission.



**Drive train application** - in this application Wixroyd Precision Levellers are used to adjust the rig to ensure correct tension of the V-belt, and to provide full support of the top mounted electric drive motor.



**Plummer blocks** - even multiple bearings can be levelled easily and precisely, here part no. 62000 is in use.



**Extruder** - precision adjustment of an extruder with leveller no. 62008.

LEVELLING FEET

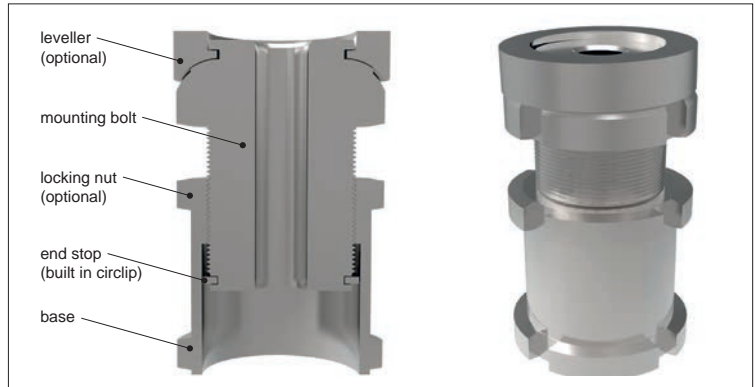
ov-W62000-AP2180-T-W62160-AP2187-T-a-mh- Updated -28-10-2022



## Design features

Wixroyd Precision Levelling Adjusters enable accurate levelling, locating and adjusting of motors, machinery and much more, under heavy loads.

There are three key features to the design, firstly the fine threaded mounting bolt, secondly the threaded nut base and thirdly the end-stop. The fine thread of the mounting bolt and base provides precise adjustment, as well as easy re-adjustment by means of a hook spanner to DIN 1810A, see part no. 95400.



## Product range



**62000** - Designed for applications with limited space - height adjustment is between 4 and 14mm.



**62040** - Designed for applications requiring both height adjustment (from 4 to 14mm) and precise adjustment of non-parallel surfaces, with a maximum angle of tilt 4°.



**62060** - Designed for applications where a wide adjustment range is required - height adjustment equal to 15 to 55mm.



**62080** - Designed for applications with a dynamic load, or where no fasteners are used. The locknut enables locking of the adjuster in the pre-set position.



**62100** - For applications requiring both height adjustment (from 15 to 55mm) and precise adjustment of non-parallel surfaces, with a max. angle of tilt 4°.



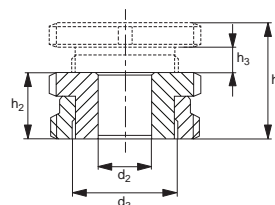
**62120** - The same features as part number 62100, but with the added feature of a locknut to fix adjuster in any position.



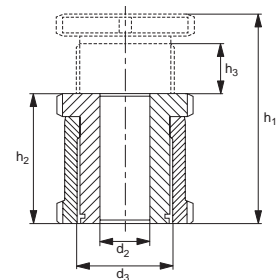
**62140/62160** - Designed for applications requiring precise adjustment of non-parallel surfaces, with a maximum angle tilt 4°. The ball shim has no height adjustment feature.

## Adjusters vs. levellers

### Precision adjusters



### Precision levellers



Features	62000	62002	62040	62042	62060	62080	62100	62120
Adjustment travel 4-14mm	✓	✓	✓	✓				
Adjustment travel 15-55mm					✓	✓	✓	✓
Lock nut		✓		✓		✓		✓
Slope adjustment up to 4°			✓	✓			✓	✓
Captive screw feature	✓	✓	✓	✓	✓	✓	✓	✓