

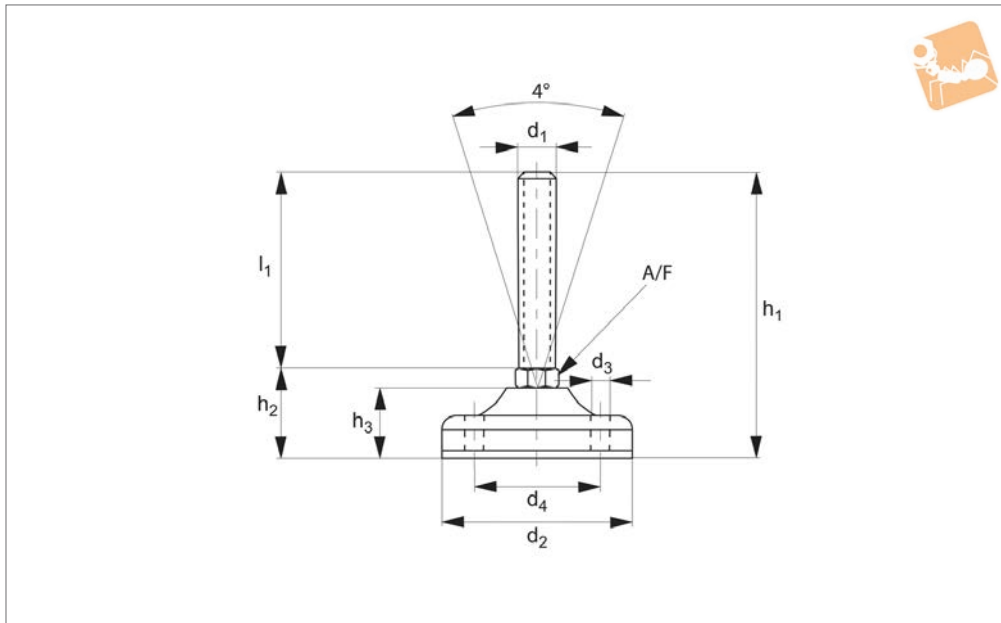


Machine Mount

plastic pad, bolt black polyamide bolt down option



Levelling Feet



P2204.2

LEVELLING FEET

Material

Pad: black polyamide.
Bolt: stainless steel AISI 303.

Pad insert: nitril rubber.

half the screw height.

Technical Notes

Load values refer to static loads, located at

Order No.	d ₁	l ₁	d ₂	d ₃	d ₄	h ₁	h ₂	h ₃	A/F	Load kN max.
P2204.083-10-050	M10	50	83	8.5	56	89	39	31	14	15
P2204.083-10-075	M10	75	83	8.5	56	114	39	31	14	15
P2204.083-10-100	M10	100	83	8.5	56	139	39	31	14	15
P2204.083-10-125	M10	125	83	8.5	56	164	39	31	14	15
P2204.083-12-050	M12	50	83	8.5	56	89	39	31	14	15
P2204.083-12-075	M12	75	83	8.5	56	114	39	31	14	15
P2204.083-12-100	M12	100	83	8.5	56	139	39	31	14	15
P2204.083-14-050	M14	50	83	8.5	56	89	39	31	14	20
P2204.083-14-075	M14	75	83	8.5	56	114	39	31	14	20
P2204.083-14-100	M14	100	83	8.5	56	139	39	31	14	20
P2204.083-14-125	M14	125	83	8.5	56	164	39	31	14	20
P2204.083-14-150	M14	150	83	8.5	56	189	39	31	14	20
P2204.083-14-175	M14	175	83	8.5	56	215	39	31	14	20
P2204.083-16-050	M16	50	83	8.5	56	93	43	31	13	20
P2204.083-16-075	M16	75	83	8.5	56	118	43	31	13	20
P2204.083-16-100	M16	100	83	8.5	56	143	43	31	13	20
P2204.083-16-125	M16	125	83	8.5	56	168	43	31	13	20
P2204.083-16-150	M16	150	83	8.5	56	193	43	31	13	20
P2204.083-16-175	M16	175	83	8.5	56	218	43	31	13	20
P2204.083-16-200	M16	200	83	8.5	56	243	43	31	13	20
P2204.103-16-050	M16	50	103	12.5	73	98	48	36	17	35
P2204.103-16-075	M16	75	103	12.5	73	123	48	36	17	35
P2204.103-16-100	M16	100	103	12.5	73	148	48	36	17	35
P2204.103-16-125	M16	125	103	12.5	73	173	48	36	17	35
P2204.103-16-150	M16	150	103	12.5	73	198	48	36	17	35
P2204.103-16-175	M16	175	103	12.5	73	223	48	36	17	35
P2204.103-16-200	M16	200	103	12.5	73	248	48	36	17	35
P2204.103-16-225	M16	225	103	12.5	73	273	48	36	17	35
P2204.123-16-050	M16	50	123	12.5	87	103	53	40	20	45
P2204.123-16-075	M16	75	123	12.5	87	128	53	40	20	45
P2204.123-16-100	M16	100	123	12.5	87	153	53	40	20	45
P2204.123-16-125	M16	125	123	12.5	87	178	53	40	20	45
P2204.123-16-150	M16	150	123	12.5	87	203	53	40	20	45
P2204.123-16-175	M16	175	123	12.5	87	228	53	40	20	45

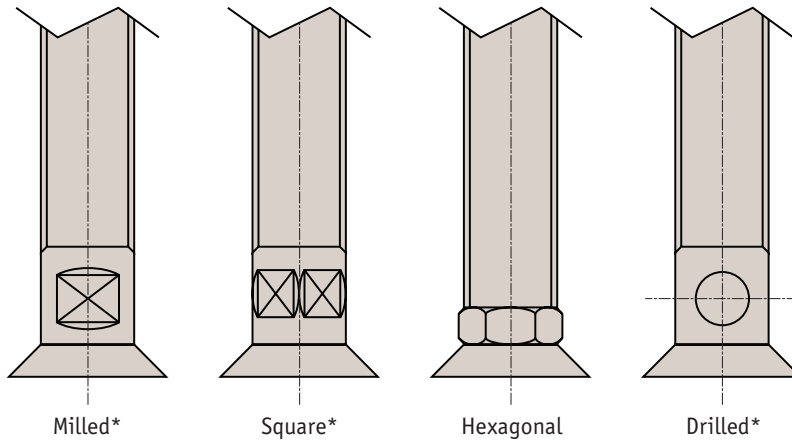
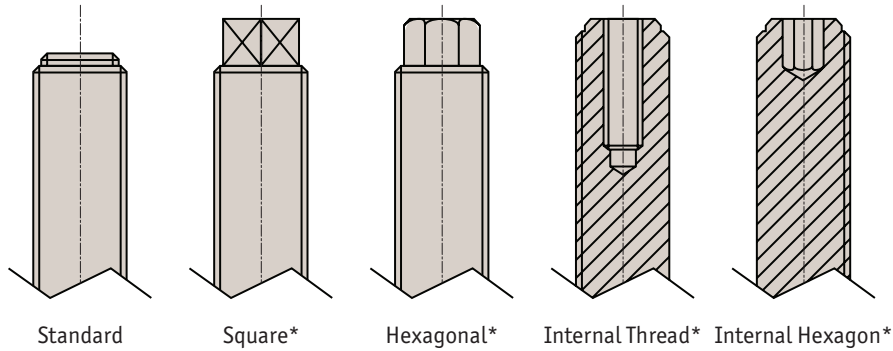


LEVELLING FEET

Order No.	d ₁	l ₁	d ₂	d ₃	d ₄	h ₁	h ₂	h ₃	A/F	Load kN max.
P2204.123-16-200	M16	200	123	12.5	87	253	53	40	20	45
P2204.123-16-225	M16	225	123	12.5	87	278	53	40	20	45
P2204.083-20-075	M20	75	83	8.5	56	118	43	34	17	20
P2204.083-20-100	M20	100	83	8.5	56	143	43	34	17	20
P2204.083-20-125	M20	125	83	8.5	56	168	43	34	17	20
P2204.083-20-150	M20	150	83	8.5	56	193	43	34	17	20
P2204.083-20-175	M20	175	83	8.5	56	218	43	34	17	20
P2204.083-20-200	M20	200	83	8.5	56	243	43	34	17	20
P2204.083-20-225	M20	225	83	8.5	56	268	43	34	17	20
P2204.103-20-075	M20	75	103	12.5	73	123	48	36	17	35
P2204.103-20-100	M20	100	103	12.5	73	148	48	36	17	35
P2204.103-20-125	M20	125	103	12.5	73	173	48	36	17	35
P2204.103-20-150	M20	150	103	12.5	73	198	48	36	17	35
P2204.103-20-175	M20	175	103	12.5	73	223	48	36	17	35
P2204.103-20-200	M20	200	103	12.5	73	248	48	36	17	35
P2204.103-20-225	M20	225	103	12.5	73	273	48	36	17	35
P2204.123-20-075	M20	75	123	12.5	87	128	53	40	20	45
P2204.123-20-100	M20	100	123	12.5	87	153	53	40	20	45
P2204.123-20-125	M20	125	123	12.5	87	178	53	40	20	45
P2204.123-20-150	M20	150	123	12.5	87	203	53	40	20	45
P2204.123-20-175	M20	175	123	12.5	87	228	53	40	20	45
P2204.123-20-200	M20	200	123	12.5	87	253	53	40	20	45
P2204.123-20-225	M20	225	123	12.5	87	278	53	40	20	45
P2204.103-24-075	M24	75	103	12.5	73	125	50	36	20	35
P2204.103-24-100	M24	100	103	12.5	73	150	50	36	20	35
P2204.103-24-125	M24	125	103	12.5	73	175	50	36	20	35
P2204.103-24-150	M24	150	103	12.5	73	200	50	36	20	35
P2204.103-24-175	M24	175	103	12.5	73	225	50	36	20	35
P2204.103-24-200	M24	200	103	12.5	73	250	50	36	20	35
P2204.103-24-225	M24	225	103	12.5	73	275	50	36	20	35
P2204.123-24-075	M24	75	123	12.5	87	128	53	40	20	45
P2204.123-24-100	M24	100	123	12.5	87	153	53	40	20	45
P2204.123-24-125	M24	125	123	12.5	87	178	53	40	20	45
P2204.123-24-150	M24	150	123	12.5	87	203	53	40	20	45
P2204.123-24-175	M24	175	123	12.5	87	228	53	40	20	45
P2204.123-24-200	M24	200	123	12.5	87	253	53	40	20	45
P2204.123-24-225	M24	225	123	12.5	87	278	53	40	20	45
P2204.123-24-250	M24	250	123	12.5	87	303	53	40	20	45
P2204.123-30-100	M30	100	123	12.5	87	153	53	40	26	45
P2204.123-30-125	M30	125	123	12.5	87	178	53	40	26	45
P2204.123-30-150	M30	150	123	12.5	87	203	53	40	26	45
P2204.123-30-175	M30	175	123	12.5	87	228	53	40	26	45
P2204.123-30-200	M30	200	123	12.5	87	253	53	40	26	45
P2204.123-30-225	M30	225	123	12.5	87	278	53	40	26	45
P2204.123-30-250	M30	250	123	12.5	87	303	53	40	26	45



All levelling feet can be produced with the following fixing types:



Thread versions

- Metric thread - coarse pitch (standard)
- Metric thread - fine pitch
- Thread gas 55°
- Imperial thread Unc
- Whitworth thread

* For non-standard threads a minimum order will apply.

Levelling Feet from Automotion Components

LEVELLING FEET