

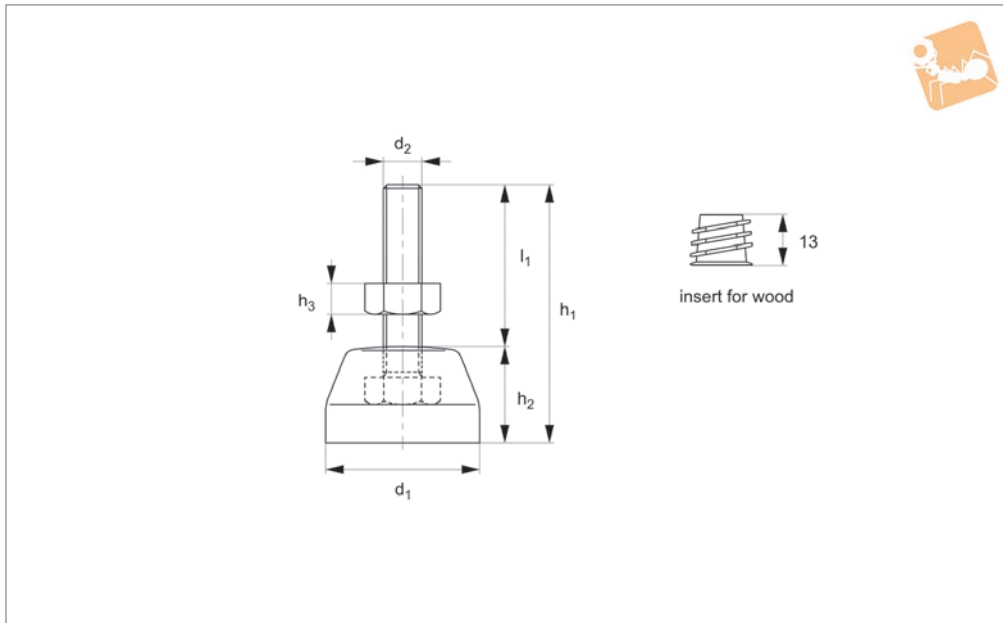


Elastomer Levelling Feet

A2 stainless steel thread



Levelling Feet



P2217

LEVELLING FEET

Material

Thermoplastic elastomer base (grey TPE), stainless steel thread (AISI 304, 1.4301). Removable threaded insert for wood included: zinc die cast (ZDC).

Technical Notes

This levelling foot is ideal for widespread

applications involving both threaded materials and non-threaded materials (such as wood). For use with non-threaded materials, the optional threaded sheath can be inserted, allowing the levelling foot to be attached to non-threaded materials. The ridged TPE base provides this levelling

foot with excellent anti-slip and acoustic/vibration dampening properties. This product is ideal for medical, laboratory and educational settings and each unit has a maximum load of 15 kg.

Order No.	d_1	d_2	h_1	h_2	h_3	l_1	Load kg max.	Weight g
P2217.030-080-033	30	M 8	44	10.5	6	33.2	15	30
P2217.040-100-027	40	M10	40	13.0	6	27.0	15	50
P2217.040-100-037	40	M10	50	13.0	6	37.0	15	54
P2217.040-100-042	40	M10	67	25.0	8	42.0	15	74