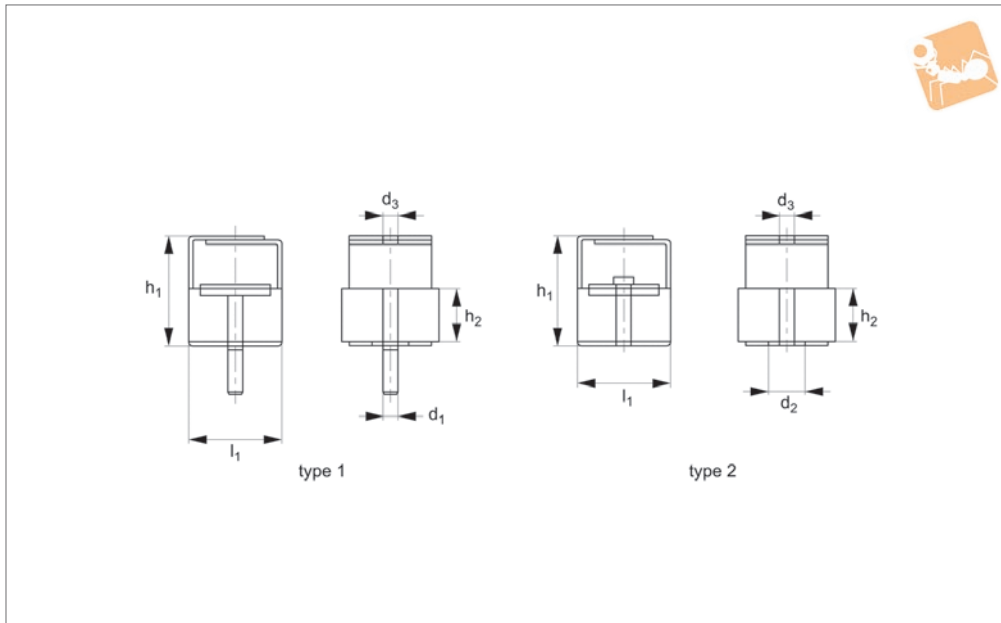




Acoustic Ceiling Hangers without nut

without nut

Anti-Vibration Components



P2502

ANTI-VIBRATION COMPONENTS

Material

Zinc plated steel (anti-corrosive treatment) with Sylomer® pad.

Technical Notes

These hangers are manufactured with two

different mixes of Sylomer® for the two different load ratings. The metal parts can withstand tensile stresses from 650kg - 1000kg.

They are put through an anti-corrosive

treatment, which can withstand harsh conditions.

Order No.	Type	d ₁	h ₁	d ₂	d ₃	h ₂	l ₁	Compression max.	Load kgf max.
P2502.044-030	Type 1	M6	47	18	8	25	44	8	30
P2502.044-075	Type 1	M6	47	18	8	25	44	6	75
P2502.044-230	Type 2	M6	47	18	8	25	44	8	30
P2502.044-275	Type 2	M6	47	18	8	25	44	6	75
P2502.056-060	Type 1	M6	67	18	55	25	56	9	60
P2502.056-150	Type 1	M6	67	18	55	25	56	6	150
P2502.056-260	Type 2	M6	67	18	55	25	56	9	60
P2502.056-350	Type 2	M6	67	18	55	25	56	6	150