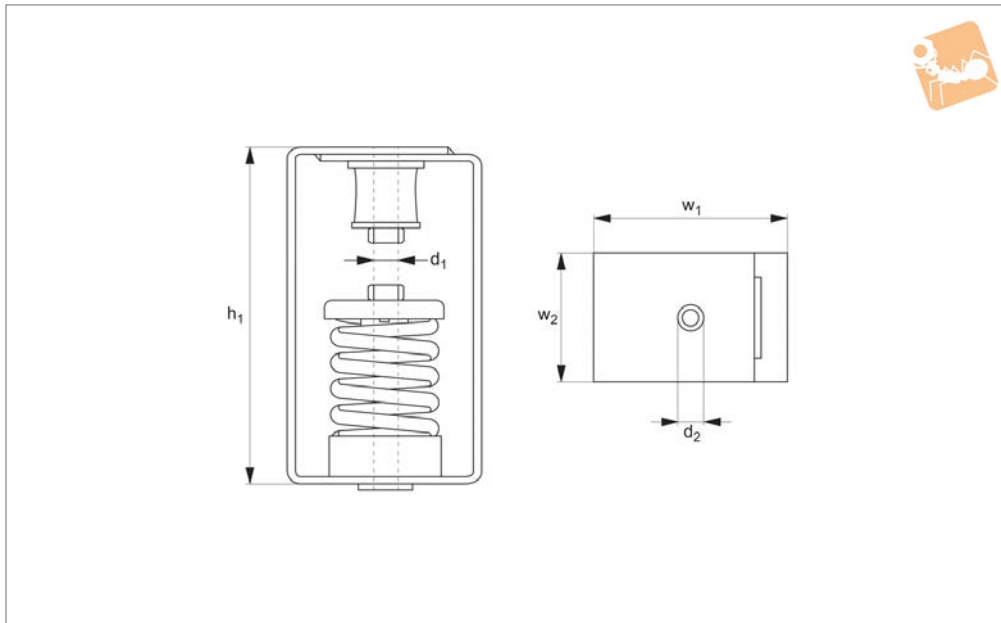




Acoustic Suspension Hanger top top mount

Anti-Vibration Components



P2552

ANTI-VIBRATION COMPONENTS

Material

Zinc plated steel and rubber.

The spring in the body provides good anti-vibration properties.

These hanger can be used for fans, distribution pipes, ducts and acoustic ceilings.

Technical Notes

These units are designed for installations where objects are suspended from ceilings.

Tips

Select the damper corresponding to the load to be carried per unit.

Order No.	d ₁	w ₁	h ₁	d ₂	w ₂	h ₁	Load kgf max.
P2552.025	M8	75	150	12	50	25	25
P2552.050	M8	75	150	12	50	50	50
P2552.075	M8	75	150	12	50	75	75
P2552.100	M8	75	150	12	50	100	100
P2552.125	M8	75	150	12	50	125	125