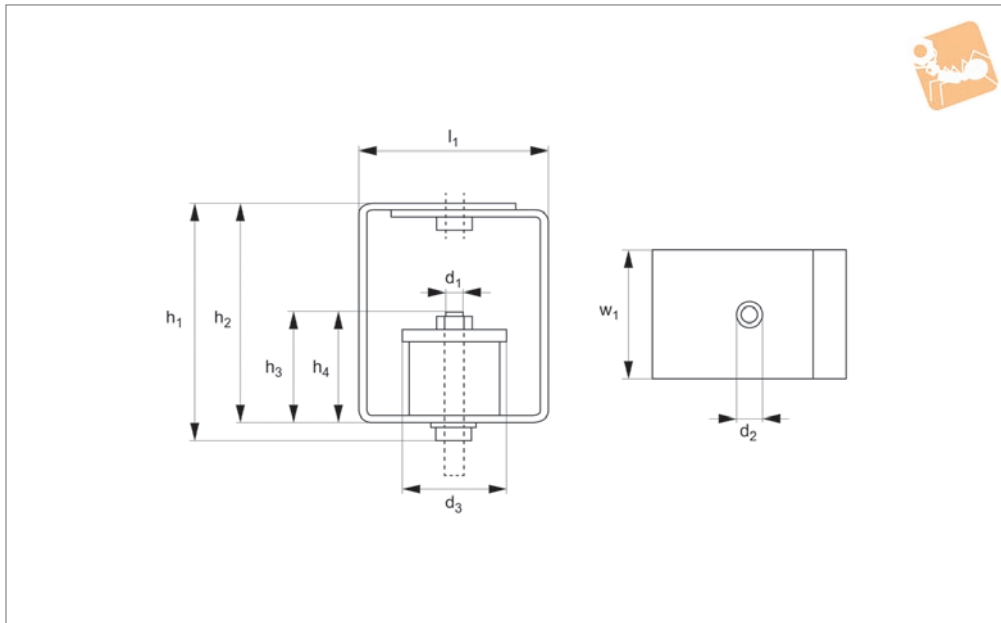




Acoustic Suspension Hanger with nut

Anti-Vibration Components



P2554

ANTI-VIBRATION COMPONENTS

Material

Steel anti-corrosive zinc plated, with rubber (50 shore A) cylinder.

Technical Notes

These units are designed for installations

where objects are suspended from ceilings. The spring in the body provides good anti-vibration properties.

The metal hanger is designed to cope with loads up to 1000kg.

Tips

Select the damper corresponding to the load to be carried per unit.

These hanger can be used for fans, distribution pipes, ducts and acoustic ceilings.

Order No.	d ₁	w ₁	h ₁	d ₂	d ₃	d ₄	h ₂	h ₃	h ₄	l ₁	Load range kgf
P2554.060-030	M 6	40	55.03	M 6	30	18	46.3	38	30	40	8-30
P2554.060-060	M 6	40	55.03	M 6	30	18	46.3	38	30	40	25-60
P2554.080-100	M 8	55	76.40	M 8	40	16	68.0	43	34	55	40-100
P2554.080-150	M 8	55	76.40	M 8	40	16	68.0	43	34	55	80-150

