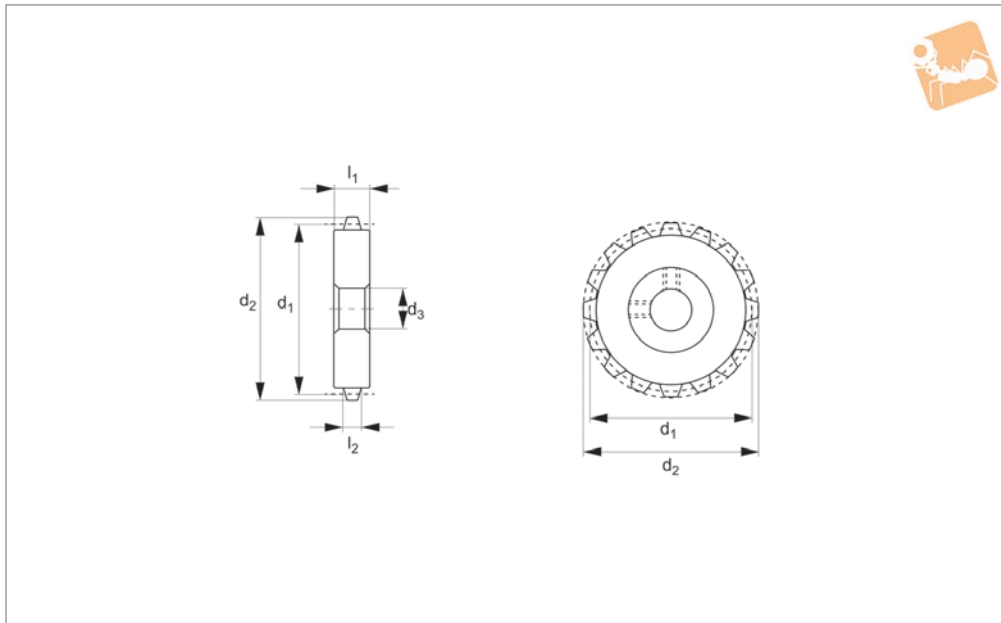




# Chain Sprockets - aluminium, hubless

3,747 circular pitch

## Chains, Belts & Pulleys



**R1057**

CHAINS, BELTS & PULLEYS

### Material

Aluminium DIN 3,1355 anodized.

recommended for idler use only.

Other no's of teeth available on request.

### Technical Notes

<sup>1</sup>Sprockets with Ø19,0 PD and smaller are

### Important Notes

Operate with R1055 series chain.

Order No.	No. of teeth	Pitch dia.	Outside dia.
R1057.014-HL	14*	16.80	18.82
R1057.015-HL	15*	18.00	20.03
R1057.016-HL	16	19.20	21.23
R1057.018-HL	18	21.60	23.63
R1057.020-HL	20	24.00	26.03
R1057.024-HL	24	28.80	30.83
R1057.025-HL	25	30.00	32.03
R1057.027-HL	27	32.40	34.43
R1057.028-HL	28	33.60	35.63
R1057.029-HL	29	34.80	36.83
R1057.030-HL	30	35.99	38.03
R1057.032-HL	32	38.39	40.43
R1057.034-HL	34	40.79	42.83
R1057.036-HL	36	43.19	45.23
R1057.038-HL	38	45.59	47.63
R1057.040-HL	40	47.99	50.03
R1057.042-HL	42	50.39	52.42
R1057.044-HL	44	52.79	54.82
R1057.048-HL	48	57.59	59.62
R1057.050-HL	50	59.99	62.02
R1057.052-HL	52	62.39	64.42
R1057.054-HL	54	64.79	66.82
R1057.056-HL	56	67.19	69.22
R1057.060-HL	60	71.99	74.02
R1057.065-HL	65	77.99	80.02
R1057.070-HL	70	83.99	86.02
R1057.080-HL	80	95.99	98.02