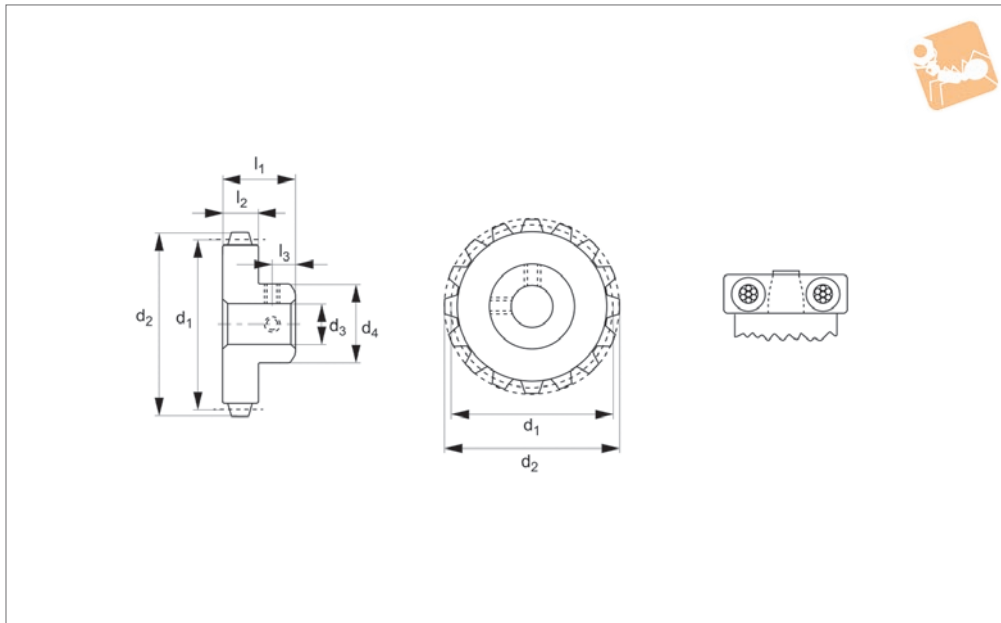




# Chain Sprockets - aluminium, pin hub

6,35mm circular pitch



**R1066**

CHAINS, BELTS & PULLEYS

**Material**

Aluminum DIN 3,1355 anodized.

**Technical Notes**

<sup>1</sup> For 9-10 teeth on 8mmØ bore, hub

diameter equals 14,5.

<sup>1</sup> For 10 teeth on 10mmØ bore and 12mmØ bore, hub diameter equals 16,9.

<sup>2</sup> Sprockets with Ø19PD and smaller are

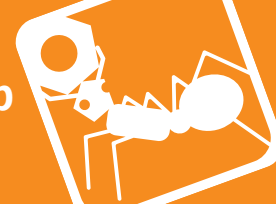
recommended for idler use only.

Other no's of teeth available on request.

**Important Notes**

Operates with R1065 series chain.

Order No.	Bore dia.	No. of teeth	Pitch dia.	Outside dia.
R1066.009-08-AL	Ø8	9 <sup>1 2</sup>	18.19	21.24
R1066.010-08-AL	Ø8	10 <sup>1</sup>	20.21	23.26
R1066.012-08-AL	Ø8	12	24.26	27.30
R1066.013-08-AL	Ø8	13	28.28	29.32
R1066.014-08-AL	Ø8	14	28.30	31.35
R1066.015-08-AL	Ø8	15	30.32	33.37
R1066.016-08-AL	Ø8	16	32.34	35.39
R1066.018-08-AL	Ø8	18	36.38	39.43
R1066.020-08-AL	Ø8	20	40.43	43.47
R1066.024-08-AL	Ø8	24	48.51	51.56
R1066.025-08-AL	Ø8	25	50.53	53.58
R1066.028-08-AL	Ø8	28	56.60	59.64
R1066.030-08-AL	Ø8	30	60.64	63.69
R1066.036-08-AL	Ø8	36	72.77	75.81
R1066.040-08-AL	Ø8	40	80.85	83.90
R1066.048-08-AL	Ø8	48	97.02	100.07
R1066.060-08-AL	Ø8	60	121.28	124.32
R1066.072-08-AL	Ø8	72	145.53	148.58
R1066.009-10-AL	Ø10	9 <sup>1 2</sup>	18.19	21.24
R1066.010-10-AL	Ø10	10 <sup>1</sup>	20.21	23.26
R1066.012-10-AL	Ø10	12	24.26	27.30
R1066.013-10-AL	Ø10	13	28.28	29.32
R1066.014-10-AL	Ø10	14	28.30	31.35
R1066.015-10-AL	Ø10	15	30.32	33.37
R1066.016-10-AL	Ø10	16	32.34	35.39
R1066.018-10-AL	Ø10	18	36.38	39.43
R1066.020-10-AL	Ø10	20	40.43	43.47
R1066.024-10-AL	Ø10	24	48.51	51.56
R1066.025-10-AL	Ø10	25	50.53	53.58
R1066.028-10-AL	Ø10	28	56.60	59.64
R1066.030-10-AL	Ø10	30	60.64	63.69
R1066.036-10-AL	Ø10	36	72.77	75.81
R1066.040-10-AL	Ø10	40	80.85	83.90
R1066.048-10-AL	Ø10	48	97.02	100.07



Order No.	Bore dia.	No. of teeth	Pitch dia.	Outside dia.
R1066.060-10-AL	Ø10	60	121.28	124.32
R1066.072-10-AL	Ø10	72	145.53	148.58
R1066.009-12-AL	Ø12	9 <sup>1</sup> 2	18.19	21.24
R1066.010-12-AL	Ø12	10 <sup>1</sup>	20.21	23.26
R1066.012-12-AL	Ø12	12	24.26	27.30
R1066.013-12-AL	Ø12	13	28.28	29.32
R1066.014-12-AL	Ø12	14	28.30	31.35
R1066.015-12-AL	Ø12	15	30.32	33.37
R1066.016-12-AL	Ø12	16	32.34	35.39
R1066.018-12-AL	Ø12	18	36.38	39.43
R1066.020-12-AL	Ø12	20	40.43	43.47
R1066.024-12-AL	Ø12	24	48.51	51.56
R1066.025-12-AL	Ø12	25	50.53	53.58
R1066.028-12-AL	Ø12	28	56.60	59.64
R1066.030-12-AL	Ø12	30	60.64	63.69
R1066.036-12-AL	Ø12	36	72.77	75.81
R1066.040-12-AL	Ø12	40	80.85	83.90
R1066.048-12-AL	Ø12	48	97.02	100.07
R1066.060-12-AL	Ø12	60	121.28	124.32
R1066.072-12-AL	Ø12	72	145.53	148.58