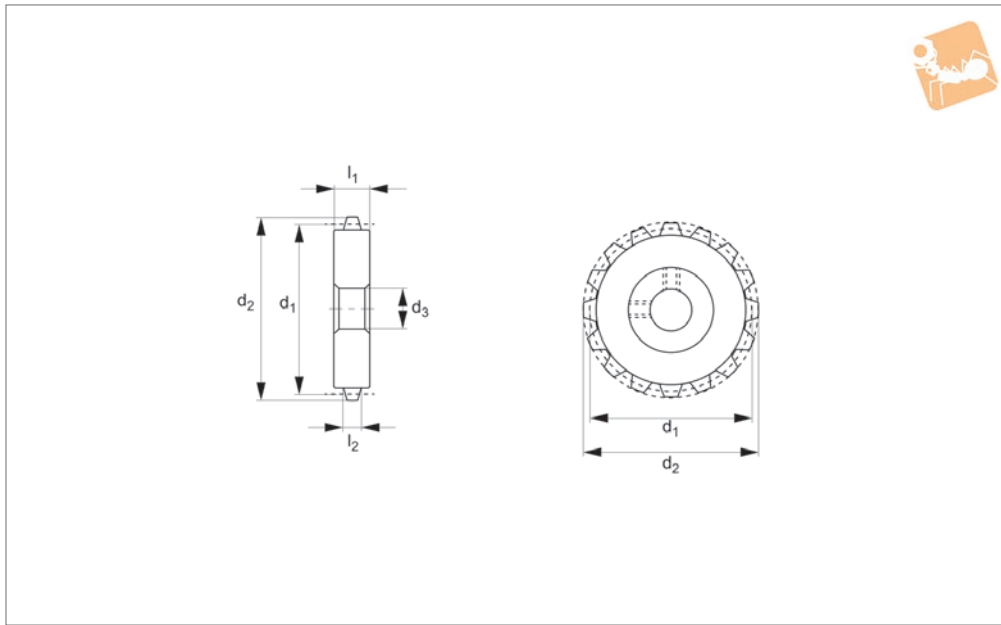




Hubless Chain Sprockets - hubless aluminium, 6,35mm circular pitch

Chains, Belts & Pulleys



R1067

CHAINS, BELTS & PULLEYS

Material

Aluminium DIN 3,1355 anodized

recommended for idler use only.

Other no's of teeth available on request.

Technical Notes

¹ Sprockets with Ø19PD and smaller are

Important Notes

Operates R1065 series chain.

Order No.	No. of teeth	Pitch dia.	Outside dia.
R1067.009-10	9 ¹	18.19	21.24
R1067.010-10	10	20.21	23.26
R1067.012-10	12	24.26	27.30
R1067.013-10	13	28.28	29.32
R1067.014-10	14	28.30	31.35
R1067.015-10	15	30.32	33.37
R1067.016-10	16	32.34	35.39
R1067.018-10	18	36.38	39.43
R1067.020-10	20	40.43	43.47
R1067.024-10	24	48.51	51.56
R1067.025-10	25	50.53	53.58
R1067.028-10	28	56.60	59.64
R1067.030-10	30	60.64	63.69
R1067.036-10	36	72.77	75.81
R1067.040-10	40	80.85	83.90
R1067.048-10	48	97.02	100.07
R1067.060-10	60	121.28	124.32
R1067.072-10	72	145.53	148.58