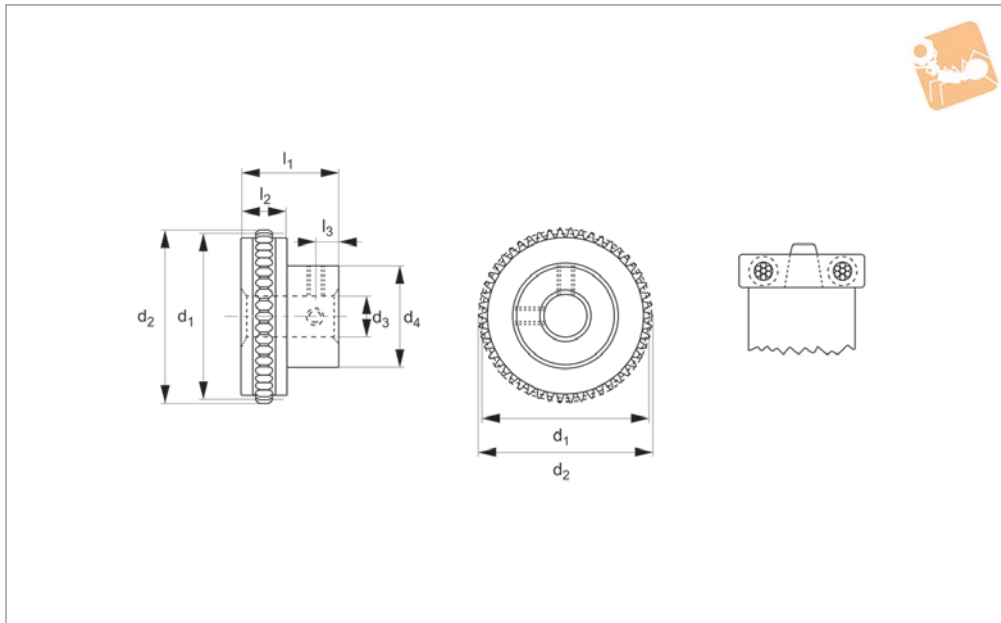




# Chain Sprockets - acetal, pin hub

6,35mm circular pitch

## Chains, Belts & Pulleys



**R1068**

CHAINS, BELTS & PULLEYS

**Material**  
Acetal.

**Technical Notes**

<sup>1</sup> Teeth runout on hub.

<sup>2</sup> Sprockets with Ø19mm PD and smaller are recommended for idler use only. Other no's of teeth are available.

**Important Notes**

Operates R1065 series chain.

Order No.	Bore dia.	No. of teeth	Pitch dia.	Outside dia.
R1068.009-07-AC	Ø7	9 <sup>1 2</sup>	18.19	21.24
R1068.010-07-AC	Ø7	10 <sup>1 2</sup>	20.21	23.26
R1068.012-07-AC	Ø7	12	24.26	27.30
R1068.013-07-AC	Ø7	13	28.28	29.32
R1068.014-07-AC	Ø7	14	28.30	31.35
R1068.015-07-AC	Ø7	15	30.32	33.37
R1068.016-07-AC	Ø7	16	32.34	35.39
R1068.018-07-AC	Ø7	18	36.38	39.43
R1068.020-07-AC	Ø7	20	40.43	43.47
R1068.024-07-AC	Ø7	24	48.51	51.56
R1068.025-07-AC	Ø7	25	50.53	53.58
R1068.028-07-AC	Ø7	28	56.60	59.64
R1068.030-07-AC	Ø7	30	60.64	63.69
R1068.036-07-AC	Ø7	36	72.77	75.81
R1068.009-08-AC	Ø8	9	18.19	21.24
R1068.010-08-AC	Ø8	10	20.21	23.26
R1068.012-08-AC	Ø8	12	24.26	27.30
R1068.013-08-AC	Ø8	13	28.28	29.32
R1068.014-08-AC	Ø8	14	28.30	31.35
R1068.015-08-AC	Ø8	15	30.32	33.37
R1068.016-08-AC	Ø8	16	32.34	35.39
R1068.018-08-AC	Ø8	18	36.38	39.43
R1068.020-08-AC	Ø8	20	40.43	43.47
R1068.024-08-AC	Ø8	24	48.51	51.56
R1068.025-08-AC	Ø8	25	50.53	53.58
R1068.028-08-AC	Ø8	28	56.60	59.64
R1068.030-08-AC	Ø8	30	60.64	63.69
R1068.036-08-AC	Ø8	36	72.77	75.81