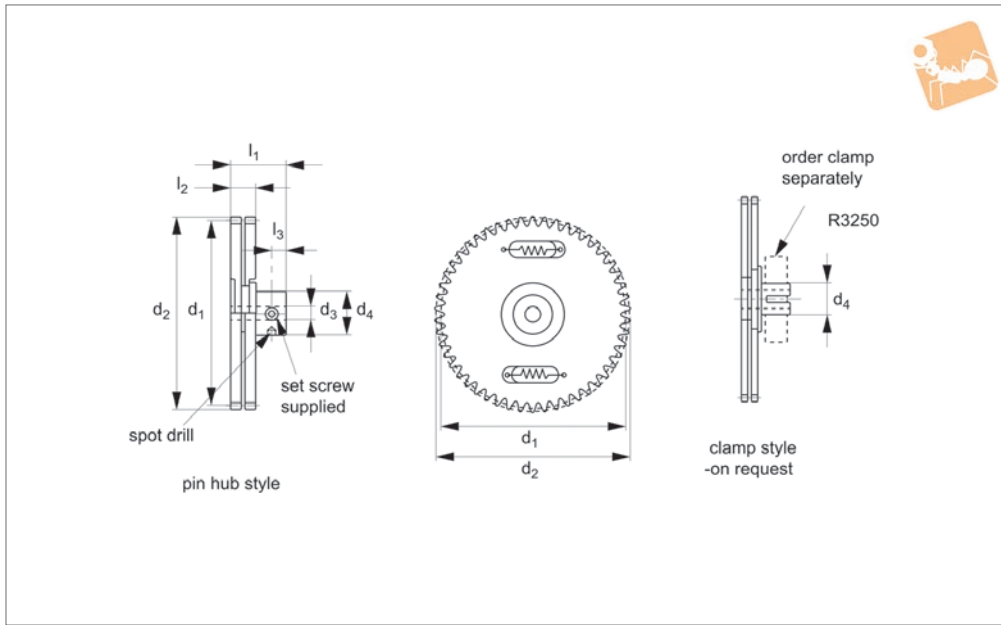




# Hubless Spur Gears

Stainless Steel



**R2086**

STANDARD SPUR GEARS

**Material**  
A2 Stainless

Quality class DIN 7, AGMA 10.

pressure angle, quality class DIN 5 & 3 etc).

**Technical Notes**  
20° pressure angle.

**Tips**  
Special versions available on request (e.g. different number of teeth, 14.5°

Order No.	No. of teeth	d <sub>1</sub> p.d.	d <sub>2</sub>	d <sub>3</sub>	w
R2086.018-16-SS	18	16	27.0	30.0	10
R2086.020-16-SS	20	16	30.0	33.0	10
R2086.024-16-SS	24	16	36.0	39.0	10
R2086.028-16-SS	28	16	42.0	45.0	10
R2086.030-16-SS	30	16	45.0	48.0	10
R2086.032-16-SS	32	16	48.0	51.0	10
R2086.036-16-SS	36	16	54.0	57.0	10
R2086.040-16-SS	40	16	60.0	63.0	10
R2086.042-16-SS	42	16	63.0	66.0	10
R2086.045-16-SS	45	16	67.5	70.5	10
R2086.048-16-SS	48	16	72.0	75.0	10
R2086.050-16-SS	50	16	75.0	78.0	10
R2086.056-16-SS	56	16	84.0	87.0	10
R2086.060-16-SS	60	16	90.0	93.0	10
R2086.064-16-SS	64	16	96.0	99.0	10