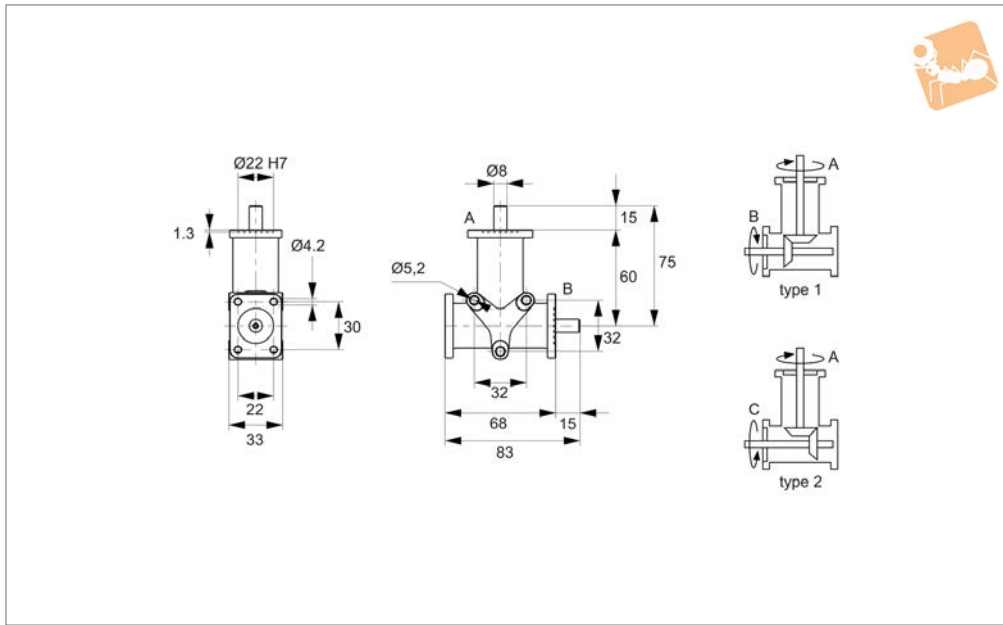




Stainless Right Angle Drives - 2 Shafts

Ø8 shafts

Right Angle Gear Boxes



R2350

RIGHT ANGLE GEAR BOXES

Material

Stainless steel (AISI 316) housing and shafts. Seals - NBR. Spiral bevel gears from hardened steel.

Technical Notes

Normally used as speed reducers.

Shaft A is the input shaft, maximum input (as speed reducer) is 1400 rpm. Provides on average 10,000 hours trouble free life.

Usually used as speed reducers but can also be used as speed increasers (max

input 750 rpm).

Temperature range -20C to +80C

Max. radial loading 60N. Max. axial loading 20N.

Angular alignment: 15' to 30' of arc.

Order No.	Shaft dia. tol. f7	Type	Ratio	Input shaft A kW max.	Output shaft B Nm max.	Weight kg
R2350.1-1	8	1	1:1	0.24	1.60	0.48
R2350.2-1	8	2	1:1	0.24	1.60	0.483
R2350.1-2	8	1	2:1	0.16	1.10	0.483
R2350.2-2	8	2	2:1	0.16	1.10	0.483