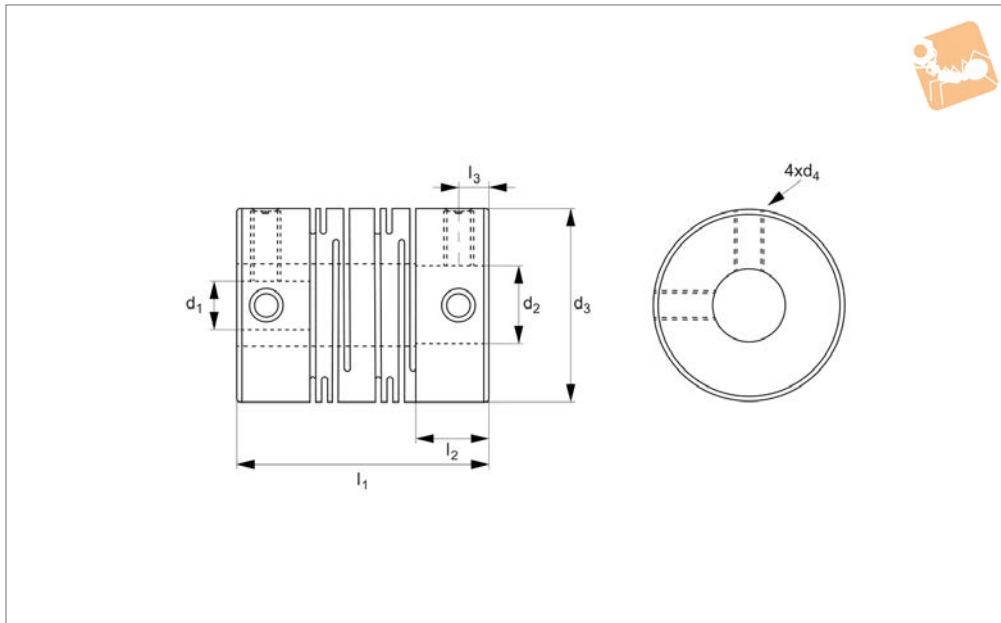
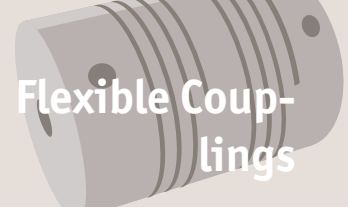




Spiral Beam Coupling - Aluminium

set screw - long type

Flexible Couplings



R3003.2

FLEXIBLE COUPLINGS

Material

Anodized aluminium AL7075

Technical Notes

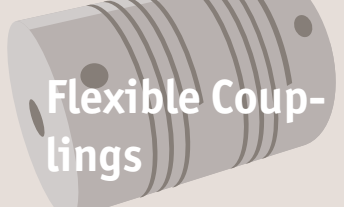
Zero backlash.

The flexure allowed by the beam portion of the coupling is capable of accommodating

parallel, angular and axial misalignment. High wrench torque rigidity and sensitivity. Rotation character of clockwise or anti-clockwise are exactly the same. Free maintenance, oil-resist and anti-

corrosiveness. Offset of angular, parallel or axial deviation are individual allowed value, so couple reasons of axial offset appearing at the same time would reduce unit allowable value.

Order No.	d ₁ tol. h8	d ₂ tol. h8	d ₃	d ₄	l ₁	l ₂	l ₃
R3003.E-5-6	5	6	25	M4	31	8.5	4
R3003.E-6-6	6	6	25	M4	31	8.5	4
R3003.E-6-8	6	8	25	M4	31	8.5	4
R3003.E-6-10	6	10	25	M4	31	8.5	4
R3003.E-8-8	8	8	25	M4	31	8.5	4
R3003.E-8-10	8	10	25	M4	31	8.5	4
R3003.E-8-12	58	12	25	M4	31	8.5	4
R3003.E-10-10	10	10	25	M4	31	8.5	4
R3003.E-10-11	10	11	25	M4	31	8.5	4
R3003.E-10-12	10	12	25	M4	31	8.5	4
R3003.E-12-12	12	12	25	M4	31	8.5	4
R3003.F-6-8	6	8	32	M4	41	12	6
R3003.F-8-8	8	8	32	M4	41	12	6
R3003.F-8-10	8	10	32	M4	41	12	6
R3003.F-8-12	8	12	32	M4	41	12	6
R3003.F-10-10	10	10	32	M4	41	12	6
R3003.F-10-11	10	11	32	M4	41	12	6
R3003.F-10-12	10	12	32	M4	41	12	6
R3003.F-10-14	10	14	32	M4	41	12	6
R3003.F-12-12	12	12	32	M4	41	12	6
R3003.F-12-14	12	14	32	M4	41	12	6
R3003.F-14-14	14	14	32	M4	41	12	6
R3003.F-14-16	14	16	32	M4	41	12	6
R3003.G-10-10	10	10	40	M5	56	17	8.5
R3003.G-12-12	12	12	40	M5	56	17	8.5
R3003.G-14-14	14	14	40	M5	56	17	8.5
R3003.G-14-16	14	16	40	M5	56	17	8.5
R3003.G-14-18	14	18	40	M5	56	17	8.5
R3003.G-15-15	15	15	40	M5	56	17	8.5
R3003.G-16-16	16	16	40	M5	56	17	8.5
R3003.G-16-18	16	18	40	M5	56	17	8.5



Spiral Beam Coupling - Aluminium

set screw - long type



Order No.	d_1 tol. h8	d_2 tol. h8	d_3	d_4	l_1	l_2	l_3
R3003.G-18-18	18	18	40	M5	56	17	8.5

FLEXIBLE COUPLINGS