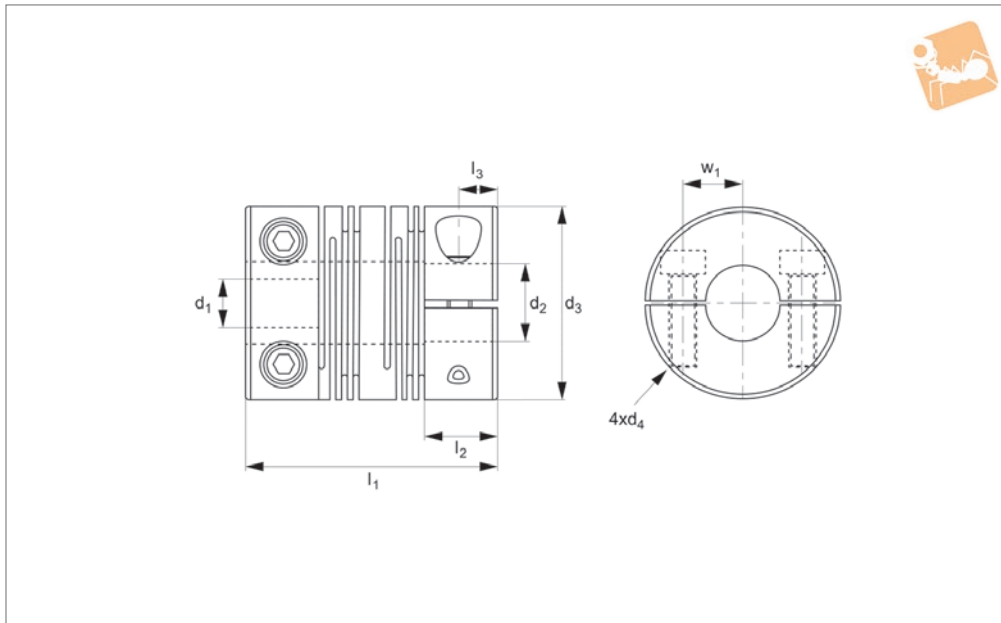
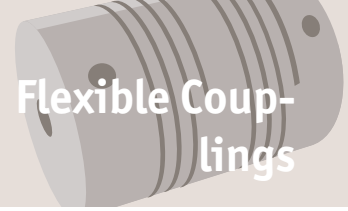




# Spiral Beam Coupling - stainless steel clamping type - long type

Flexible Couplings



**R3004.1**

FLEXIBLE COUPLINGS

### Material

Stainless steel SUS303

### Technical Notes

The flexure allowed by the beam portion of the coupling is capable of accommodating

angular, parallel and axial misalignment. Free maintenance, oil-resist and anti-corrosiveness. Rotation character of clockwise or anti-clockwise are exactly the same.

Offset of angular, parallel or axial deviation are individual allowed value, so couple reasons of axial offset appearing at same time would reduce the unit allowable value.

Order No.	d <sub>1</sub> tol. h8	d <sub>2</sub> tol. h8	d <sub>3</sub>	d <sub>4</sub>	l <sub>1</sub>	l <sub>2</sub>	l <sub>3</sub>	w
R3004.A-4-4	4	4	12	M2	18.5	5	2.5	4
R3004.A-4-5	4	5	12	M2	18.5	5	2.5	4
R3004.A-5-5	5	5	12	M2	18.5	5	2.5	4
R3004.B-5-5	5	5	16	M2,5	26	6.5	3.25	5
R3004.B-5-6	5	6	16	M2,5	26	6.5	3.25	5
R3004.B-6-6	6	6	16	M2,5	26	6.5	3.25	5
R3004.C-5-6	5	6	20	M2,5	26	7.5	3.75	6.5
R3004.C-5-7	5	7	20	M2,5	26	7.5	3.75	6.5
R3004.C-5-8	5	8	20	M2,5	26	7.5	3.75	6.5
R3004.C-6-6	6	6	20	M2,5	26	7.5	3.75	6.5
R3004.C-6-7	6	7	20	M2,5	26	7.5	3.75	6.5
R3004.C-6-8	6	8	20	M2,5	26	7.5	3.75	6.5
R3004.C-8-8	8	8	20	M2,5	26	7.5	3.75	6.5
R3004.D-5-6	5	6	25	M3	31	8.5	4.25	9
R3004.D-6-6	6	6	25	M3	31	8.5	4.25	9
R3004.D-6-8	6	8	25	M3	31	8.5	4.25	9
R3004.D-6-10	6	10	25	M3	31	8.5	4.25	9
R3004.D-8-8	8	8	25	M3	31	8.5	4.25	9
R3004.D-8-10	8	10	25	M3	31	8.5	4.25	9
R3004.D-10-10	10	10	25	M3	31	8.5	4.25	9