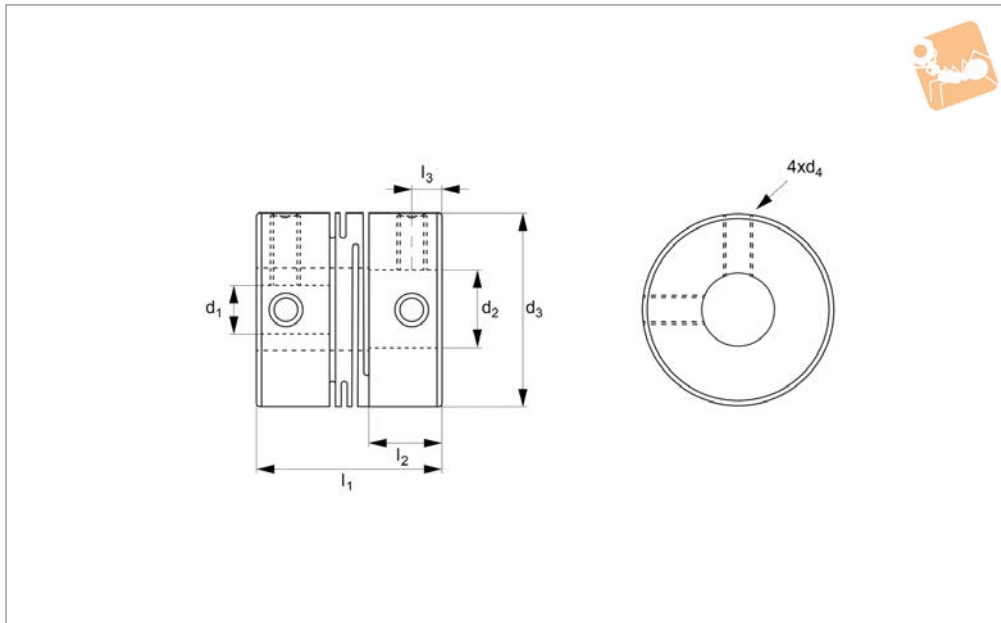
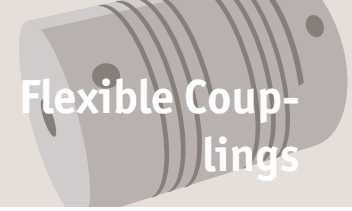




Spiral Beam Coupling - Aluminium

set screw - short type

Flexible Couplings



R3009.1

FLEXIBLE COUPLINGS

Material

Anodized aluminium AL7075

Technical Notes

Zero backlash.

The flexure allowed by the beam portion of the coupling is capable of accommodating

parallel, angular and axial misalignment. High wrench torque rigidity and sensitivity. Rotation character of clockwise or anti-clockwise are exactly the same. Free maintenance, oil-resist and anti-

corrosiveness. Offset of angular, parallel or axial deviation are individual allowed value, so couple reasons of axial offset appearing at the same time would reduce unit allowable value.

Order No.	d ₁ tol. h8	d ₂ tol. h8	d ₃	d ₄	l ₁	l ₂	l ₃
R3009.A-2-2	2	2	8	M2	10	3.4	1.7
R3009.A-3-3	3	3	8	M2	10	3.4	1.7
R3009.B-4-4	4	4	12	M2,5	14	5.2	2.5
R3009.B-4-5	4	5	12	M2,5	14	5.2	2.5
R3009.B-5-5	5	5	12	M2,5	14	5.2	2.5
R3009.C-5-5	5	5	16	M3	18	6.8	3
R3009.C-5-6	5	6	16	M3	18	6.8	3
R3009.C-6-6	6	6	16	M3	18	6.8	3
R3009.D-5-6	5	6	20	M3	20	7.65	3
R3009.D-5-7	5	7	20	M3	20	7.65	3
R3009.D-5-8	5	8	20	M3	20	7.65	3
R3009.D-6-6	56	6	20	M3	20	7.65	3
R3009.D-6-7	6	7	20	M3	20	7.65	3
R3009.D-6-8	6	8	20	M3	20	7.65	3
R3009.D-8-8	8	8	20	M3	20	7.65	3
R3009.E-5-6	5	6	25	M4	25	9.6	4
R3009.E-6-6	6	6	25	M4	25	9.6	4
R3009.E-6-8	6	8	25	M4	25	9.6	4
R3009.E-6-10	6	10	25	M4	25	9.6	4
R3009.E-8-8	8	8	25	M4	25	9.6	4
R3009.E-8-10	8	10	25	M4	25	9.6	4
R3009.E-10-10	10	10	25	M4	25	9.6	4
R3009.F-8-8	8	8	32	M4	32	12.6	6
R3009.F-8-10	8	10	32	M4	32	12.6	6
R3009.F-10-10	10	10	32	M4	32	12.6	6
R3009.F-10-12	10	12	32	M4	32	12.6	6
R3009.F-12-12	12	12	32	M4	32	12.6	6
R3009.F-12-14	12	14	32	M4	32	12.6	6