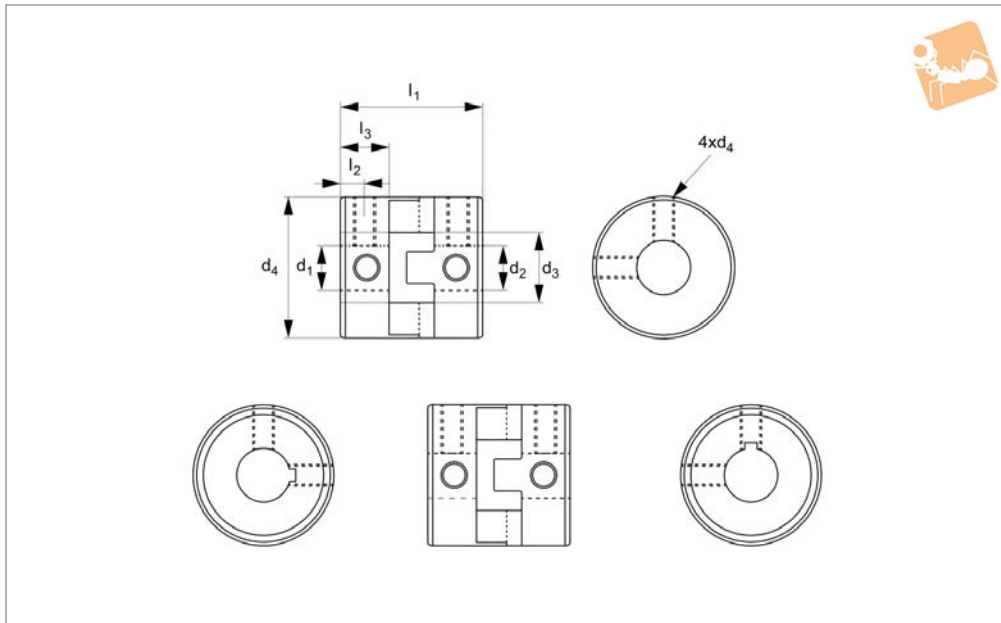
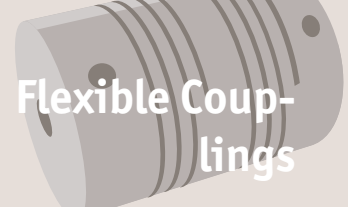




Oldham Coupling

set screw with Black Polyacetel (POM) Insert

Flexible Couplings



R3057

FLEXIBLE COUPLINGS

Material

Mainframe: Anodized aluminium AL7075.
Insert: Black polyacetel (POM)

Technical Notes

Operating temperature: -20° - 80°C.
Offset of angular, parallel or axial devia-

tion are individual allowed value, so couple reasons of axial oddset appearing at same time would reduce unit allowable value.

Select bigger lock torque of clamping screw than listen values on catalogues

when shaft diameter is too small. List torque tightness values are only for general standard. Available options for key way per inner diameter is bigger than 6mm.

Order No.	d ₁ & d ₂	d ₃	d ₄	l ₁	l ₂	l ₃	Clamping screw lock torque Nm	Clamping screw d ₅
R3057.A-14	14	22.5	44	46	7.5	15	7.0	M 6
R3057.A-15	15	22.5	44	46	7.5	15	7.0	M 6
R3057.A-16	16	22.5	44	46	7.5	15	7.0	M 6
R3057.A-18	18	22.5	44	46	7.5	15	7.0	M 6
R3057.A-20	20	22.5	44	46	7.5	15	7.0	M 6
R3057.A-22	22	22.5	44	46	7.5	15	7.0	M 6
R3057.B-18	18	28	55	57	9.5	19	15.0	M 8
R3057.B-20	20	28	55	57	9.5	19	15.0	M 8
R3057.B-22	22	28	55	57	9.5	19	15.0	M 8
R3057.B-25	25	28	55	57	9.5	19	15.0	M 8
R3057.B-26	26	28	55	57	9.5	19	15.0	M 8
R3057.C-22	22	39	70	77	12.5	25	30.0	M10
R3057.C-25	25	39	70	77	12.5	25	30.0	M10
R3057.C-28	28	39	70	77	12.5	25	30.0	M10
R3057.C-30	30	39	70	77	12.5	25	30.0	M10
R3057.C-35	35	39	70	77	12.5	25	30.0	M10
R3057.C-38	38	39	70	77	12.5	25	30.0	M10