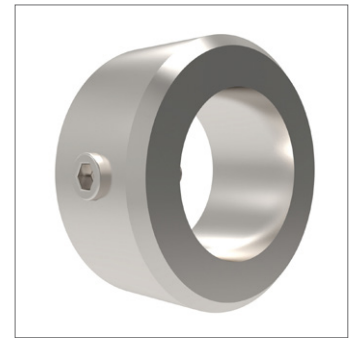
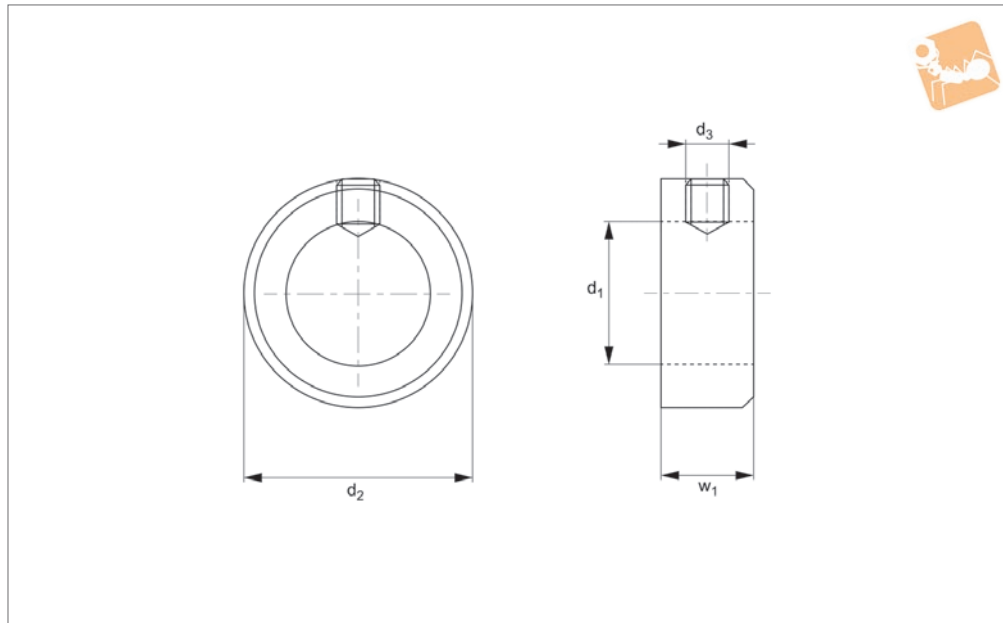
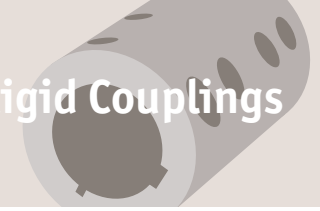




Set Collars - Hex Set Screw

Stainless & Steel

Rigid Couplings



R3216

RIGID COUPLINGS

Material

Black oxide steel or stainless steel (A2, AISI 303).

Important Notes

Different bore sizes available on request.
For keyways, please add „-KW“ suffix when ordering.

Technical Notes

To DIN 705 B, set screw to DIN 914.

Order No.	Material	d_1 tol. H7/H8	d_2 tol. H7/H8	d_3	w
R3216.030-BL	Black oxide steel	3	7	M 2	5
R3216.040-BL	Black oxide steel	4	8	M2,5	5
R3216.050-BL	Black oxide steel	5	10	M 3	6
R3216.060-BL	Black oxide steel	6	12	M 4	8
R3216.080-BL	Black oxide steel	8	16	M 4	8
R3216.100-BL	Black oxide steel	10	20	M 5	10
R3216.120-BL	Black oxide steel	12	22	M 6	12
R3216.150-BL	Black oxide steel	15	25	M 6	12
R3216.200-BL	Black oxide steel	20	32	M 6	14
R3216.250-BL	Black oxide steel	25	40	M 8	16
R3216.300-BL	Black oxide steel	30	45	M 8	16
R3216.350-BL	Black oxide steel	35	56	M 8	16
R3216.400-BL	Black oxide steel	40	63	M10	18
R3216.500-BL	Black oxide steel	50	80	M10	18
R3216.050-A2	Stainless	5	10	M 3	6
R3216.080-A2	Stainless	8	16	M 4	8
R3216.060-A2	Stainless	6	12	M 4	8
R3216.100-A2	Stainless	10	20	M 5	10
R3216.120-A2	Stainless	12	22	M 6	12
R3216.140-A2	Stainless	14	25	M 6	12
R3216.150-A2	Stainless	15	25	M 6	12
R3216.160-A2	Stainless	16	28	M 6	12
R3216.180-A2	Stainless	18	32	M 6	14
R3216.200-A2	Stainless	20	32	M 6	14
R3216.220-A2	Stainless	22	36	M 6	14
R3216.240-A2	Stainless	24	40	M 8	16
R3216.250-A2	Stainless	25	40	M 8	16
R3216.280-A2	Stainless	28	45	M 8	16
R3216.300-A2	Stainless	30	45	M 8	16
R3216.320-A2	Stainless	32	50	M 8	16
R3216.350-A2	Stainless	36	56	M 8	16
R3216.400-A2	Stainless	40	63	M10	18



Order No.	Material	d ₁ tol. H7/H8	d ₂ tol. H7/H8	d ₃	w
R3216.450-A2	Stainless	45	70	M10	18
R3216.500-A2	Stainless	50	80	M10	18
R3216.600-A2	Stainless	60	90	M10	20