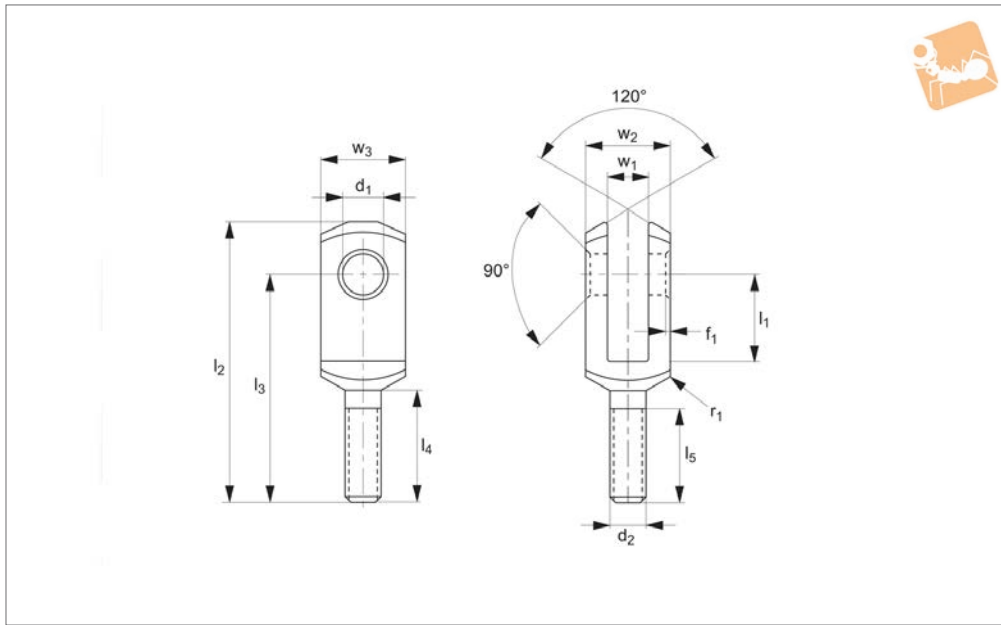




# Male Clevis Joints

silver zinc plated

# Clevis Joints & Clips



**R3410**

CLEVIS JOINTS & CLIPS

**Material**  
Steel (1.0718) silver zinc plated.

standard.

Other Tolerances: for  $r_1$ , radius or 45° bevelling.

**Technical Notes**  
Similar to DIN 71 752/DIN ISO 8140/CETOP

**Tips**  
Standard thread is right hand, (for left hand, see R3411).

Order No.	Size	Thread hand	$d_1$ tol. H9	$l_1$ $\pm 0.5$	$d_2$	$l_2$ $\pm 0.2$	$l_3$ $\pm 0.4$	$l_4$ $\pm 0.2$	$l_5$	$w_1$ +0.7 +0.15	$w_2$ +0.5 +0.2	$w_3$ tol. h11	$f_1$ $\pm 0.2$	$r_1$	Weight g
R3410.R006	6x12	Right	6	12	M6	44	37	20	15	6	12	12	0.5	0.8	15
R3410.R008	8x16	Right	8	16	M8	57	47	25	20	8	16	16	0.5	0.8	36
R3410.R010	10x20	Right	10	20	M10	69	57	30	25	10	20	20	0.5	0.8	68
R3410.R012	12x24	Right	12	24	M12	82	68	35	30	12	24	24	0.5	0.8	112
R3410.R014	14x28	Right	14	28	M14	94	78	40	35	14	27	27	1.0	1.2	171
R3410.R016	16x32	Right	16	32	M16	108	89	45	40	16	32	32	1.0	1.2	288
R3410.R020	20x40	Right	20	40	M20	134	109	55	50	20	40	40	1.0	1.5	550



Parts overview

CLEVIS JOINTS & CLIPS

**Clevis Joints**

Stocked to DIN 71752 in steel and stainless steel. Plain clevis joints available in right and left hand threads zinc plated steel and stainless steel. Steel sizes from M4 up to M48. Stainless sizes from M4 up to M27.



**Clevis Mating Pieces**

These are designed to fit in between our clevis joints to create a linkage where an angular offset is required. Available in zinc plated steel and stainless steel. Sizes M4 up to M20.



**Clevis Pins and Clips**

Various styles of pins and clips to suit clevis joints in zinc plated steel and stainless steel. Sizes available to suit all sizes of clevis joints that we offer.



**Clevis Retention Clips**

These are the most popular type of clip used with our clevis joints. They create a neat compact assembly, only available in zinc plated steel. Size available for clevis joints from 4mm up to 20mm.



**Male Clevis Joints**

Stocked in zinc plated steel and stainless steel, right and left hand threads. Sizes M6 up to M20.





**Clevis with retention clip**  
65630 and 65684



**Clevis with clevis pin, washer and cotter pin**  
65660 and 65674



### Zinc plated steel

**Clevis with clevis pin** 65664  
**Safety fastener** 65680

**Clevis with clevis pin and circlips** 65666 and 65678



**Clevis with clevis pin, washer and cotter pin**  
65661 and 65675



### Stainless steel

**Clevis with 65652 mating piece and 65684 clevis retention clip**



**Clevis with 65880 rod end and 65684 clevis retention clip**



### Assembly options

## Tensile tests, statistically to failure (break)

Clevis joints axially loaded.

Leaded low carbon steel (AISI 12L14, 1.0718).

### Clevises M6 - M42

### Material

Clevis size	F min (kN)	F max (kN)	F average value (kN)	Avg. force when clevis starts to deform (kN)
6 x 24 M 6	16,0	19,5	17,6	15,3
8 x 32 M 8	33,2	35,6	34,6	29,3
10 x 40 M10	42,0	52,0	47,5	41,3
12 x 48 M12	53,0	68,5	61,1	50,2
14 x 56 M14	60,5	64,5	63,0	48,8
16 x 64 M16	133,5	146,0	140,2	115
20 x 40 M20	194,5	234,0	213,5	176
25 x 50 M25	311,0	336,0	328,0	260
30 x 60 M30	428,0	450,0	440,6	343
36 x 72 M36	566,0	573,0	569,5	300
35 x 72 M36	561,2	567,9	564,6	370
42 x 84 M42	904,6	904,6	904,6	420

**Important note: values in this table are indicative only and should only be used as a rough guide. The Company cannot foresee the intended applications of their products and we accept no liability for any actions taken by third parties. Customers are advised to use their own safety factors and/or perform their own testing on the clevis joint to ensure it meets requirements for their application.**