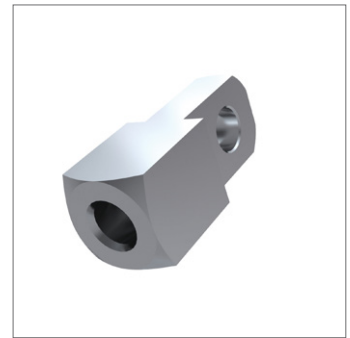
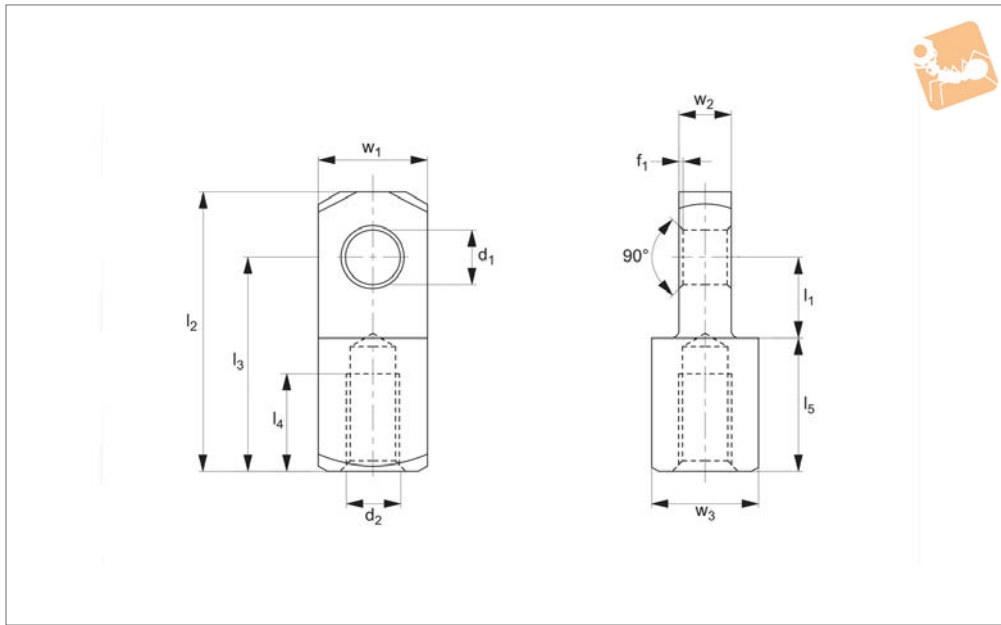




# Mating Piece for Clevis Joints

silver zinc plated

## Clevis Joints & Clips



**R3420**

CLEVIS JOINTS & CLIPS

**Material**

Steel (1.0718), silver zinc plated.

hand thread, see R3421).

Thin end of mating piece is designed to fit in between forks of clevis joint.

joint, (e.g. M5 mating piece will fit on M5 clevis joint).

**Tips**

Standard thread is right hand, (for left

Designed so thread size matches clevis

Order No.	Thread hand	Thread type	d <sub>1</sub> tol. H9	l <sub>1</sub> ±0.5	d <sub>2</sub>	l <sub>2</sub> ±0.5	l <sub>3</sub> ±0.5	l <sub>4</sub>	l <sub>5</sub> ±0.2	w <sub>1</sub> tol. h11	w <sub>2</sub> -0.2	w <sub>3</sub> tol. h11	f <sub>1</sub> ±0.2	Weight g
R3420.R004	Right	Coarse	4	6.0	M4	21	16	6	10	8	4	8	0.5	6
R3420.R005	Right	Coarse	5	7.5	M5	26	20	8	12.5	10	5	10	0.5	12
R3420.R006	Right	Coarse	6	9.0	M6	31	24	11	15	12	6	12	0.5	21
R3420.R008	Right	Coarse	8	12.0	M8	42	32	14	20	16	8	16	0.5	51
R3420.R009	Right	Fine	8	12.0	M8x1	42	32	14	20	16	8	16	0.5	51
R3420.R010	Right	Coarse	10	15.0	M10	52	40	18	25	20	10	20	0.5	98
R3420.R011	Right	Fine	10	15.0	M10x1,25	52	40	18	25	20	10	20	0.5	98
R3420.R012	Right	Coarse	12	18.0	M12	62	48	22	30	24	12	24	0.5	168
R3420.R013	Right	Fine	12	18.0	M12x1,25	62	48	22	30	24	12	24	0.5	167
R3420.R014	Right	Coarse	14	21.0	M14	72	56	25	35	27	14	27	1.0	247
R3420.R015	Right	Fine	14	21.0	M14x1,5	72	56	25	35	27	14	27	1.0	245
R3420.R016	Right	Coarse	16	24.0	M16	83	64	30	40	32	16	32	1.0	397
R3420.R017	Right	Fine	16	24.0	M16x1,5	83	64	30	40	32	16	32	1.0	395
R3420.R020	Right	Coarse	20	30.0	M20	105	80	38	50	40	20	40	1.0	783
R3420.R021	Right	Fine	20	30.0	M20x1,5	105	80	38	50	40	20	40	1.0	776



Parts overview

CLEVIS JOINTS & CLIPS

**Clevis Joints**

Stocked to DIN 71752 in steel and stainless steel. Plain clevis joints available in right and left hand threads zinc plated steel and stainless steel. Steel sizes from M4 up to M48. Stainless sizes from M4 up to M27.



**Clevis Mating Pieces**

These are designed to fit in between our clevis joints to create a linkage where an angular offset is required. Available in zinc plated steel and stainless steel. Sizes M4 up to M20.



**Clevis Pins and Clips**

Various styles of pins and clips to suit clevis joints in zinc plated steel and stainless steel. Sizes available to suit all sizes of clevis joints that we offer.



**Clevis Retention Clips**

These are the most popular type of clip used with our clevis joints. They create a neat compact assembly, only available in zinc plated steel. Size available for clevis joints from 4mm up to 20mm.



**Male Clevis Joints**

Stocked in zinc plated steel and stainless steel, right and left hand threads. Sizes M6 up to M20.





**Clevis with retention clip**  
65630 and 65684



**Clevis with clevis pin, washer and cotter pin**  
65660 and 65674



### Zinc plated steel

**Clevis with clevis pin** 65664  
**Safety fastener** 65680

**Clevis with clevis pin and circlips** 65666 and 65678



**Clevis with clevis pin, washer and cotter pin**  
65661 and 65675



### Stainless steel

**Clevis with 65652 mating piece and 65684 clevis retention clip**



**Clevis with 65880 rod end and 65684 clevis retention clip**



### Assembly options

## Tensile tests, statistically to failure (break)

Clevis joints axially loaded.

Leaded low carbon steel (AISI 12L14, 1.0718).

### Clevises M6 - M42

### Material

Clevis size	F min (kN)	F max (kN)	F average value (kN)	Avg. force when clevis starts to deform (kN)
6 x 24 M 6	16,0	19,5	17,6	15,3
8 x 32 M 8	33,2	35,6	34,6	29,3
10 x 40 M10	42,0	52,0	47,5	41,3
12 x 48 M12	53,0	68,5	61,1	50,2
14 x 56 M14	60,5	64,5	63,0	48,8
16 x 64 M16	133,5	146,0	140,2	115
20 x 40 M20	194,5	234,0	213,5	176
25 x 50 M25	311,0	336,0	328,0	260
30 x 60 M30	428,0	450,0	440,6	343
36 x 72 M36	566,0	573,0	569,5	300
35 x 72 M36	561,2	567,9	564,6	370
42 x 84 M42	904,6	904,6	904,6	420

**Important note: values in this table are indicative only and should only be used as a rough guide. The Company cannot foresee the intended applications of their products and we accept no liability for any actions taken by third parties. Customers are advised to use their own safety factors and/or perform their own testing on the clevis joint to ensure it meets requirements for their application.**