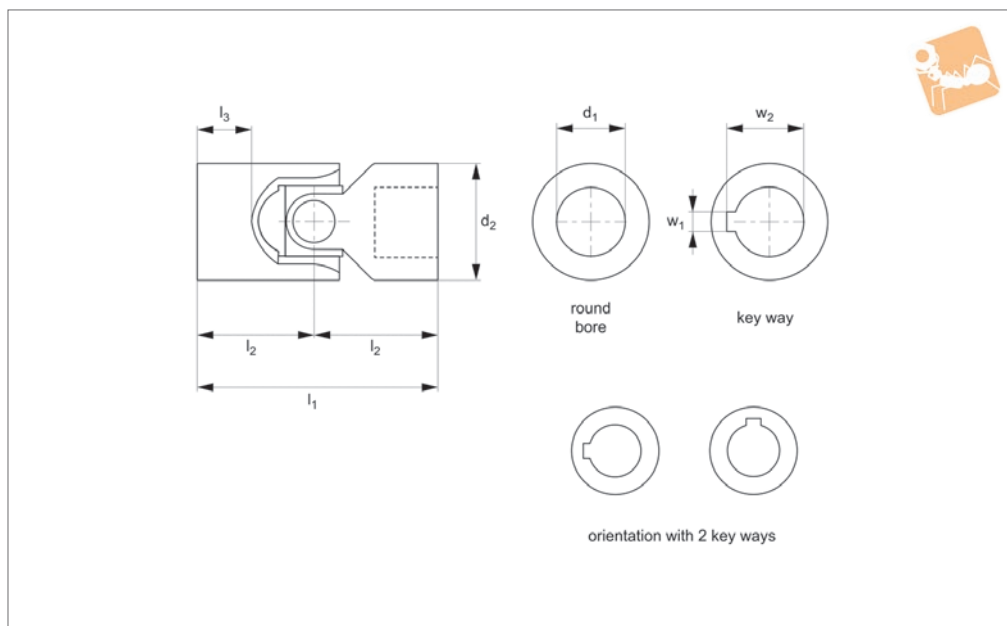


Single Universal Joint

Steel

Universal Joints



R3689

UNIVERSAL JOINTS

Material

Steel (9SMnPb28k, no. 10718).
Bearing type: plain bearing.

Maximum bending angle 45° per joint.
Max. drive speed of 1000 rpm.

Product variations available on request, for square bores change the suffix to SQ for square bores or HX for hex bores.
For stainless steel see R3694.

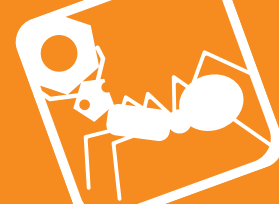
Technical Notes

To DIN 808.

Tips

Single universal joints are used where shafts are off-set towards each other.

Order No.	Bore dia.	d ₁ tol. H7	d ₂	l ₁	l ₂	l ₃	w ₁ tol. JS9	w ₂	Weight g
R3689.006-RB	Round Bore	6	16	34	17	8	-	-	50
R3689.008-RB	Round Bore	8	16	40	20	11	-	-	50
R3689.010-RB	Round Bore	10	22	48	24	12	-	-	100
R3689.012-RB	Round Bore	12	25	56	28	13	-	-	160
R3689.014-RB	Round Bore	14	28	60	30	14	-	-	200
R3689.016-RB	Round Bore	16	32	68	34	16	-	-	300
R3689.018-RB	Round Bore	18	36	74	37	17	-	-	450
R3689.020-RB	Round Bore	20	42	82	41	18	-	-	600
R3689.022-RB	Round Bore	22	45	95	47.5	22	-	-	950
R3689.025-RB	Round Bore	25	50	108	54	26	-	-	1200
R3689.030-RB	Round Bore	30	58	122	61	29	-	-	1850
R3689.032-RB	Round Bore	32	58	130	65	33	-	-	2000
R3689.035-RB	Round Bore	35	70	140	70	35	-	-	3150
R3689.040-RB	Round Bore	40	80	160	80	39	-	-	4600
R3689.050-RB	Round Bore	50	95	190	95	46	-	-	7600
R3689.006-KW	With Keyway	6	16	34	17	8	2	7.0	50
R3689.008-KW	With Keyway	8	16	40	20	11	2	9.0	50
R3689.010-KW	With Keyway	10	22	48	24	12	3	11.4	100
R3689.012-KW	With Keyway	12	25	56	28	13	4	13.8	160
R3689.014-KW	With Keyway	14	28	60	30	14	5	16.3	200
R3689.016-KW	With Keyway	16	32	68	34	16	5	18.3	300
R3689.018-KW	With Keyway	18	36	74	37	17	6	20.8	450
R3689.020-KW	With Keyway	20	42	82	41	18	6	22.8	600
R3689.022-KW	With Keyway	22	45	95	47.5	22	6	24.8	950
R3689.025-KW	With Keyway	25	50	108	54	26	8	28.3	1200
R3689.030-KW	With Keyway	30	58	122	61	29	8	33.3	1850
R3689.032-KW	With Keyway	32	58	130	65	33	10	35.3	2000
R3689.035-KW	With Keyway	35	70	140	70	35	10	38.3	3150
R3689.040-KW	With Keyway	40	80	160	80	39	12	43.3	4600
R3689.050-KW	With Keyway	50	95	190	95	46	14	53.8	7600
R3689.006-HB	Hex Bore	6	16	34	17	8	-	-	50
R3689.008-HB	Hex Bore	8	16	40	20	11	-	-	50



Order No.	Bore dia.	d ₁ tol. H7	d ₂	l ₁	l ₂	l ₃	w ₁ tol. JS9	w ₂	Weight g
R3689.010-HB	Hex Bore	10	22	48	24	12	-	-	100
R3689.012-HB	Hex Bore	12	25	56	28	13	-	-	160
R3689.014-HB	Hex Bore	14	28	60	30	14	-	-	200
R3689.016-HB	Hex Bore	16	32	68	34	16	-	-	300
R3689.018-HB	Hex Bore	18	36	74	37	17	-	-	450
R3689.020-HB	Hex Bore	20	42	82	41	18	-	-	600
R3689.022-HB	Hex Bore	22	45	95	47.5	22	-	-	950
R3689.025-HB	Hex Bore	25	50	108	54	26	-	-	1200
R3689.030-HB	Hex Bore	30	58	122	61	29	-	-	1850
R3689.032-HB	Hex Bore	32	58	130	65	33	-	-	2000
R3689.035-HB	Hex Bore	35	70	140	70	35	-	-	3150
R3689.040-HB	Hex Bore	40	80	160	80	39	-	-	4600
R3689.050-HB	Hex Bore	50	95	190	95	46	-	-	7600
R3689.006-SB	Square Bore	6	16	34	17	8	-	-	50
R3689.008-SB	Square Bore	8	16	40	20	11	-	-	50
R3689.010-SB	Square Bore	10	22	48	24	12	-	-	100
R3689.012-SB	Square Bore	12	25	56	28	13	-	-	160
R3689.014-SB	Square Bore	14	28	60	30	14	-	-	200
R3689.016-SB	Square Bore	16	32	68	34	16	-	-	300
R3689.018-SB	Square Bore	18	36	74	37	17	-	-	450
R3689.020-SB	Square Bore	20	42	82	41	18	-	-	600
R3689.022-SB	Square Bore	22	45	95	47.5	22	-	-	950
R3689.025-SB	Square Bore	25	50	108	54	26	-	-	1200
R3689.030-SB	Square Bore	30	58	122	61	29	-	-	1850
R3689.032-SB	Square Bore	32	58	130	65	33	-	-	2000
R3689.035-SB	Square Bore	35	70	140	70	35	-	-	3150
R3689.040-SB	Square Bore	40	80	160	80	39	-	-	4600
R3689.050-SB	Square Bore	50	95	190	95	46	-	-	7600



Parts overview

Single Universal Joints

Available with plain bearings or needle roller bearings. Plain bore and keyed bores stocked as standard, hex or square shaped bores on request. Bore diameters 6mm up to 50mm.



Double Universal Joints

Available with plain bearings or needle roller bearings. Plain bore and keyed bores stocked as standard, hex or square shaped bores on request. Bore diameters 6mm up to 50mm.



Stainless Steel Universal Joints

Single and double universal joints with plain bearings and plain bores. Keyed, hex or square shaped bores available on request. Bore diameters 6mm up to 30mm.



Quick Release Universal Joints

Quick change mechanism one end of the joint to allow rapid connection and release of the shaft, ideal when time is critical. Bore diameters 8mm up to 30mm.



Universal Joint Bellows

Available for both single and double universal joints, bellows are used to cover and protect the joints. Available to protect joints up to 58mm outside diameter.



Telescopic Universal Joints

Two universal joints connected by a sliding splined shaft with the ability to extend, allowing adjustments in length during installation. Bore diameters 10mm up to 30mm.



When one single joint is coupled with two shafts (of which the driving one is rotating at a constant speed) forming an angle, a periodic variation of the driven shaft is caused with exactly four fluctuations per revolution.

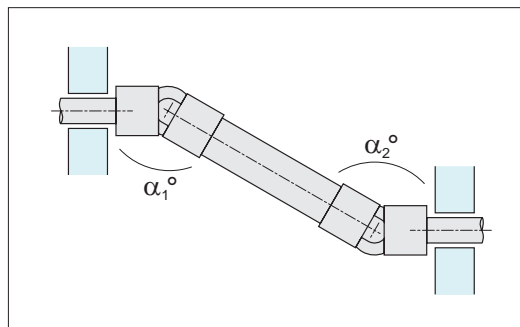
The difference between the maximum and the minimum speed of the driven shaft depends on the angle formed by the two shafts. The difference grows with the an increase of the angle a° . To have a homokinetic transmission, either two opposite single joints (ensuing that that the two central yokes lie on the same plane and the angles are equal) or a double joint need to be fitted. The irregularity caused by the former articulation is cancelled by the latter. The overall length resulting from the coupling of the two single joints can be reduced by using a double joint. In other words, the double joint is to be considered as the shortest homokinetic transmission.

For low speed applications (Max. 1000 rpm), joints with plain bearings (rubbing bearings) are suggested. They are able to support shock loads, motion reversals, irregular runnings and relatively high torques. The working angles must be be restricted when using at speeds between 500 - 1000 rpm. Please consult our technical department if you have such an application.

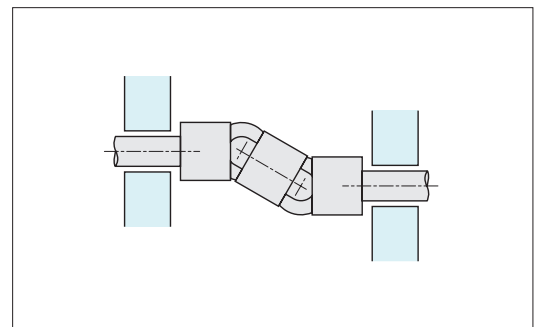
For high rotation speeds, relatively low torques or wide angles, joints with needle roller bearings are preferred. They can reach 4000 RPM dependent on the angle.

UNIVERSAL JOINTS

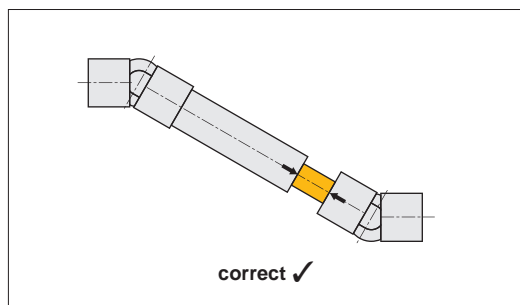
Dynamic basic load ratings of plain bearing rod ends



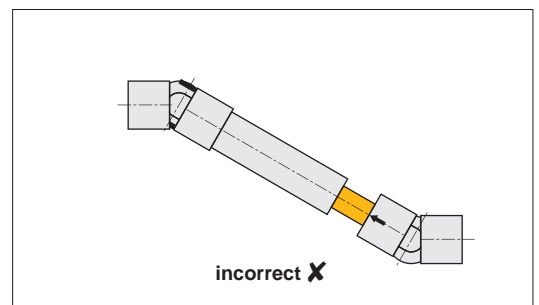
To obtain a uniform rotary motion always use either two opposite single joints or one double joints.
 $\alpha_1 = \alpha_2$.



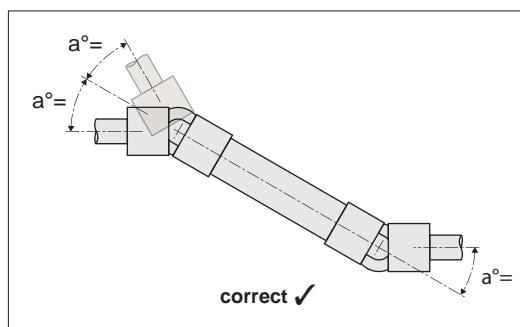
The pillow block supports should be positioned as close as possible to the joints.



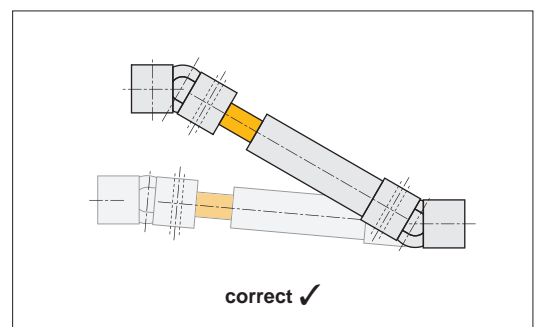
When using two opposite single joints ensure the alignment of the inside yokes.



In extensible transmissions make sure that the arrows are perfectly aligned.



It is essential that the two bending angles a° are equal.





How to read diagrams

The joint capacity to transmit a regular torque at a constant load with no shocks, for a long period, mainly depends on the number of revolutions per minute and the inclination angle a° of the two axes. The diagrams on the following pages are based on this. Each curve corresponds to the joint size (outside diameter "D") and represents the torque that the joint can transmit depending on speed and working angle a° .

The diagrams can be directly read if angle (a°) is 10° . For wider angles, torques are reduced, therefore these are to be corrected using the correction vales (F) relating to the angle shown in the table.

Important Note: Diagrams' values are merely indicative and refer to the single joints only. When choosing a double joint, you have to consider that they can transmit a torque about 10% lower than the same sized single joints. Each application has its own particular motion characteristics, such as: shock loads, motion reversals, connected masses, kind of starting, presence of elastic joints, stops and starts, etc., that have to be considered when choosing the joint.

Working angle a°	Correction value F
5°	1,25
10°	1,00
15°	0,80
20°	0,65
25°	0,55
30°	0,45
35°	0,38
40°	0,30
45°	0,25

Example

Known: Power = 0,65 kW
RPM = 230

With working angle $a = 10^\circ$, $F = 1$, we get point **P**. Torque = 27 Nm corresponding to joint size "D" = 25/26mm = Types **65170.W0016** and **65172.W0012**

With working angle $a = 30^\circ$, $F = 0,45$ (kW 0,65: 0,45 = 1,44 kW) we get point **P1** Torque = 60 Nm corresponding to joint size "D" = 32mm = Types **65170.W0020** and **65172.W0016**

Consider that:

$$\text{Torque in Nm} = 9550 \times \frac{\text{Power (kW)}}{\text{RPM}}$$

$$\text{Torque in Nm} = 7020 \times \frac{\text{Power (HP)}}{\text{RPM}}$$

- 1 kW = 1,35 HP
- 1 HP = 0,736 kW
- 1 Kgm = 9,81 Nm
- 1 Nm = 0,102 Kgm

