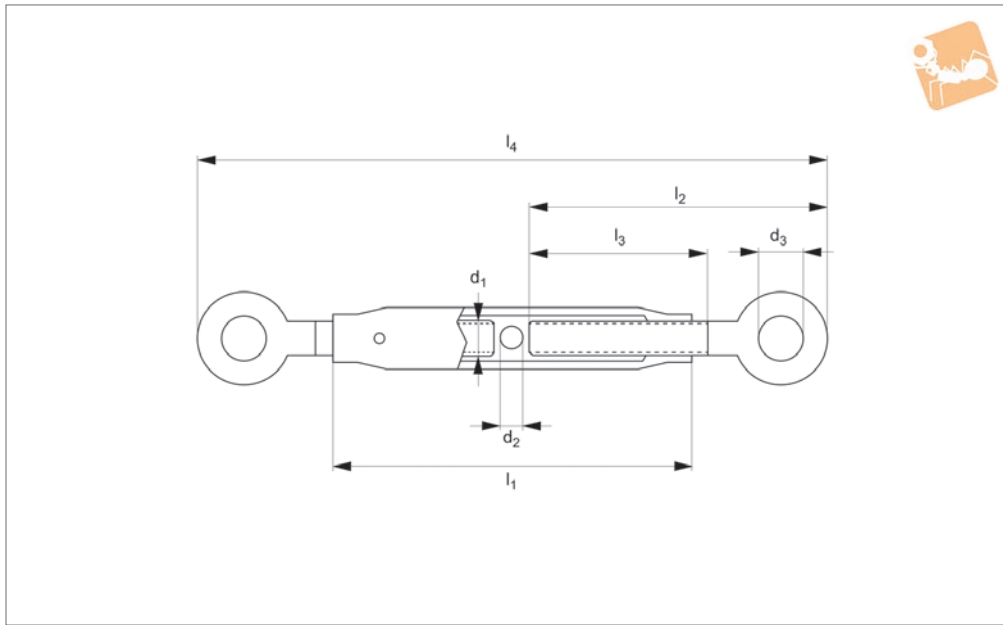
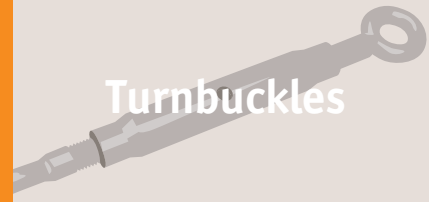




# Eye End Pipe Body Turnbuckles

stainless steel

## Turnbuckles



**R3810**

TURNBUCKLES

### Material

Stainless steel (A4)

### Technical Notes

To DIN 1478.

### Tips

Turnbuckles consist of a metal frame with

right hand thread one end and left hand thread the other end. Used for tensioning by rotating turnbuckle body without twisting attached rope or cable.

**Only suitable for use in tension.**

### Important Notes

**Turnbuckles are not to be used for lifting.**

Order No.	$d_1$	$d_2$	$d_3$	$l_1$	$l_2$	$l_3$	$l_4$ min.	$l_4$ max.	Weight kg
R3810.006-A4	M 6	6	10	110	74	50	154	244	0.16
R3810.008-A4	M 8	8	11	110	80	52	168	253	0.18
R3810.010-A4	M10	8	15	125	95	59	199	294	0.28
R3810.012-A4	M12	10	17	125	107	66	225	315	0.42
R3810.016-A4	M16	10	22	170	146	85	302	422	0.91
R3810.020-A4	M20	12	24	200	170	100	352	492	1.36