



Flexure Pivot Bearings

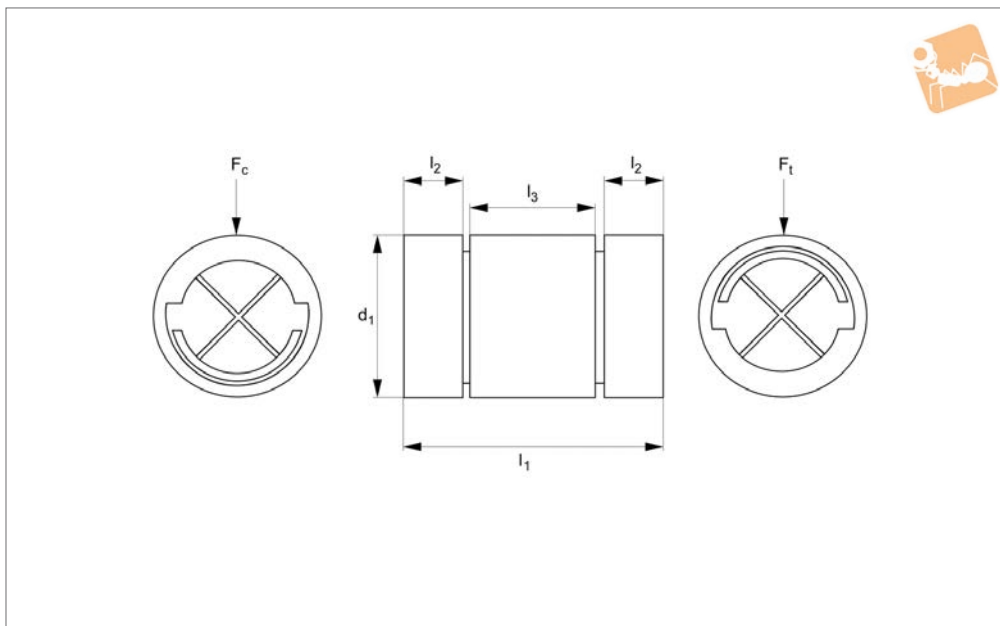
double-ended

Flexure Pivot Bearings



R4002

FLEXURE PIVOT BEARINGS



Material

Body stainless steel (416), spring and core: 410 and 420 stainless steel (46-56

HRC), braze alloy AMS 4765.

-35°C to + 190°C.

Technical Notes

Operating temperature

Order No.	d ₁ +0 -0.013	l ₁ ±0.08	l ₂ min.	l ₃ min.	Torsional spring rate Nmm/°	Load f _c compression kg max.	Load f _t tension kg max.	Angular movement max.
R4002.AD-10	3,175 (1/8")	5.08	0.97	1.78	0.034	0.43	1.72	±15°
R4002.AD-20	3,175 (1/8")	5.08	0.97	1.78	0.20	4.03	5.76	±7,5°
R4002.AD-30	3,175 (1/8")	5.08	0.97	1.78	1.67	11.47	11.47	±3,7°
R4002.BD-10	3,967 (5/32")	6.35	1.27	2.54	0.045	0.64	2.54	±15°
R4002.BD-20	3,967 (5/32")	6.35	1.27	2.54	0.42	6.21	8.89	±7,5°
R4002.BD-30	3,967 (5/32")	6.35	1.27	2.54	3.35	17.82	17.82	±3,7°
R4002.CD-10	4,763 (3/16")	7.62	1.52	3.05	0.08	0.90	3.53	±15°
R4002.CD-20	4,763 (3/16")	7.62	1.52	3.05	0.67	8.84	12.65	±7,5°
R4002.CD-30	4,763 (3/16")	7.62	1.52	3.05	5.45	25.31	25.31	±3,7°
R4002.DD-10	6,350 (1/4")	10.16	2.11	4.19	0.20	1.63	6.44	±15°
R4002.DD-20	6,350 (1/4")	10.16	2.11	4.19	1.67	15.87	22.68	±7,5°
R4002.DD-30	6,350 (1/4")	10.16	2.11	4.19	13.39	45.36	45.36	±3,7°
R4002.ED-10	7,938 (5/16")	12.70	2.67	5.23	0.42	2.58	10.34	±15°
R4002.ED-20	7,938 (5/16")	12.70	2.67	5.23	3.345	24.95	35.65	±7,5°
R4002.ED-30	7,938 (5/16")	12.70	2.67	5.23	26.75	71.26	71.26	±3,7°
R4002.FD-10	9,525 (3/8")	15.24	3.25	6.48	0.73	3.81	15.24	±15°
R4002.FD-20	9,525 (3/8")	15.24	3.25	6.48	5.446	35.88	51.25	±7,5°
R4002.FD-30	9,525 (3/8")	15.24	3.25	6.48	45.22	102.51	102.51	±3,7°
R4002.GD-10	12,700 (1/2")	20.32	4.39	8.76	1.67	6.53	26.03	±15°
R4002.GD-20	12,700 (1/2")	20.32	4.39	8.76	13.39	63.50	90.72	±7,5°
R4002.GD-30	12,700 (1/2")	20.32	4.39	8.76	107.19	181.44	181.44	±3,7°
R4002.HD-10	15,875 (5/8")	25.40	5.33	10.92	3.345	10.43	41.73	±15°
R4002.HD-20	15,875 (5/8")	25.40	5.33	10.92	26.75	100.29	143.25	±7,5°
R4002.HD-30	15,875	25.40	5.33	10.92	214.0	286.45	286.45	±3,7°
R4002.ID-10	19,050 (3/4")	30.48	6.68	13.21	5.44	14.69	58.69	±15°
R4002.ID-20	19,050 (3/4")	30.48	6.68	13.21	45.22	143.88	205.52	±7,5°
R4002.ID-30	19,050 (3/4")	30.48	6.68	13.21	368.49	411.00	411.00	±3,7°
R4002.JD-10	25,400 (1")	40.64	9.22	18.29	13.39	26.85	107.32	±15°
R4002.JD-20	25,400 (1")	40.64	9.22	18.29	107.19	256.87	366.92	±7,5°
R4002.JD-30	25,400 (1")	40.64	9.22	18.29	881.65	733.00	733.00	±3,7°