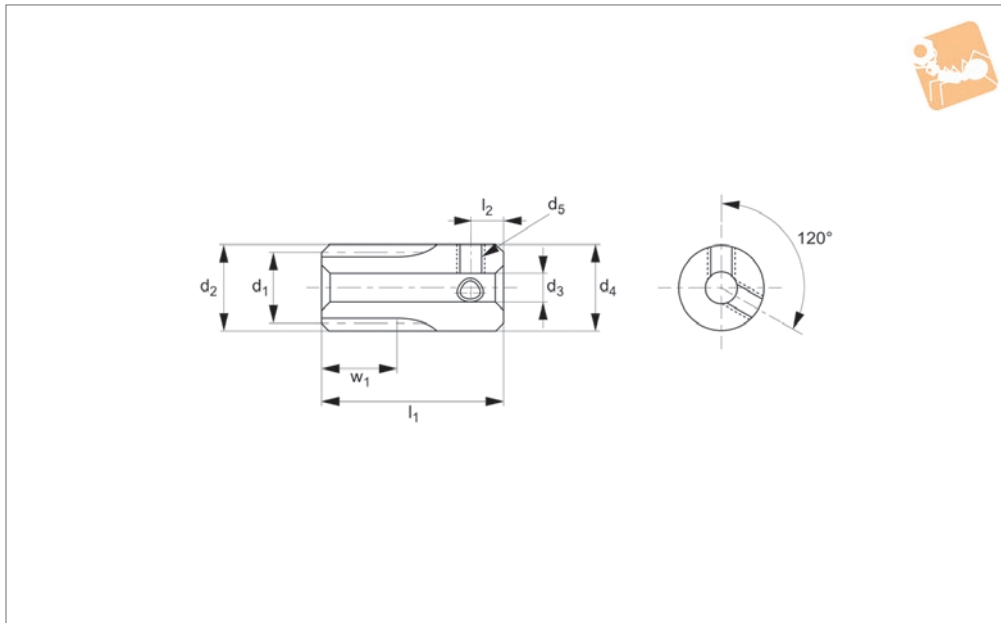




Spur Gears - Module 0.5

stainless steel - 16-30 teeth



R5105

STANDARD SPUR GEARS

Material

Stainless steel (SUS 304, JIS G 4303).
Accuracy to JIS B 1702-1 (ISO) class 9.

Technical Notes

20° pressure angle, full depth tooth.
Amount of backlash when assembling

gears = 0,01 - 0,03mm.

Tips

Module 0.5 for gears with 10-15 teeth see R5104. For long spur gears with 16-20 teeth see R5106.
Max. allowable torque (Nm) is based on

standard operating conditions (see technical pages) with a safety factor of 1.2. For non standard applications apply a suitable safety factor depending on frequency of use, type of working etc.

Order No.	Module	No. of teeth z	Pitch dia. d ₁	d ₂	w ₁	d ₃ tol. H8	d ₄	l ₁	l ₃	Thread d ₅	Torque Nm max.	Weight g
R5105.050-016	m 0.5	16	8.0	9.0	8	4	9.0	18	3	2xM 3	0.53	6.2
R5105.050-018	m 0.5	18	9.0	10.0	8	4	10.0	18	3	2xM 3	0.63	8.2
R5105.050-020	m 0.5	20	10.0	11.0	8	4	11.0	18	3	2xM 3	0.74	10.4
R5105.050-024	m 0.5	24	12.0	13.0	8	5	13.0	18	3	2xM 3	0.97	14.5
R5105.050-025	m 0.5	25	12.5	13.5	8	5	13.5	18	3	2xM 3	1.02	15.9
R5105.050-028	m 0.5	28	14.0	15.0	8	5	15.0	18	3	2xM 3	1.20	20.5
R5105.050-030	m 0.5	30	15.0	16.0	8	6	16.0	18	3	2xM 3	1.32	22.7