

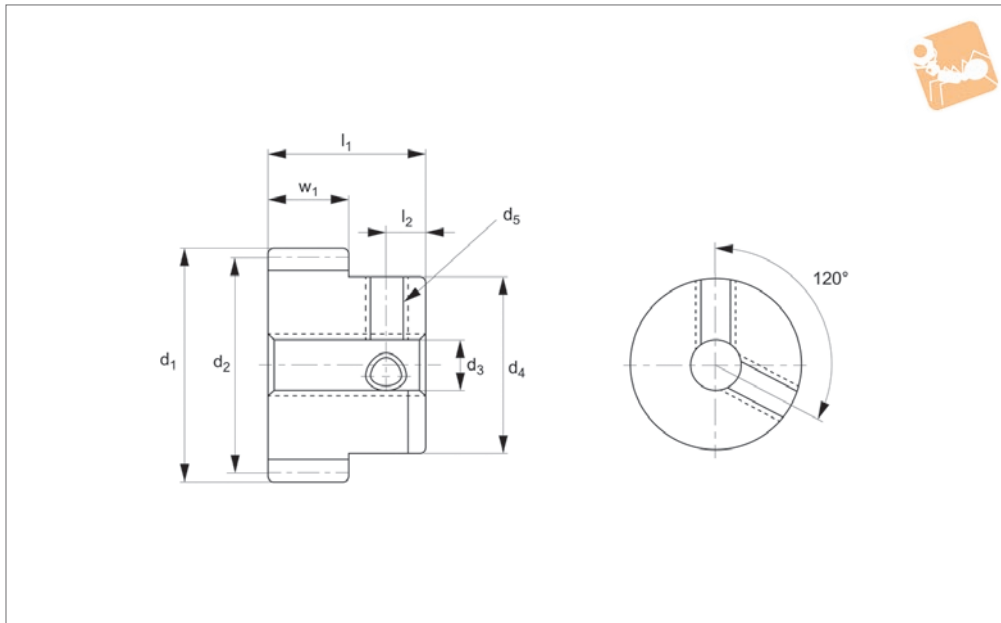


Spur Gears - Module 0.5

stainless steel - 32-120 teeth



Standard Spur Gears



R5108

STANDARD SPUR GEARS

Material

Stainless steel (SUS 304, JIS G 4303).
Accuracy to JIS B 1702-1 (ISO) class 9.

Technical Notes

20° pressure angle, full depth tooth.
Amount of backlash when assembling gears = 0,01 - 0,03 mm.

Tips

Module 0.5 for gears with 10-15 teeth see R5104,
for gears with 16-30 teeth see R5105,
for gears with 16-20 teeth see R5106- long spur gear.
Max. allowable torque (Nm) is based on

standard operating conditions (see technical pages) with a safety factor of 1.2. For non standard applications apply a suitable safety factor depending on frequency of use, type of working etc.

Order No.	Module	No. of teeth z	Pitch dia. d ₁	d ₂	w ₁	d ₃ tol. H8	d ₄	l ₁	l ₃	Thread d ₅	Torque Nm max.	Weight g
R5108.050-032	m 0.5	32	16.0	17.0	5	6	12	13	4	2xM 3	0.90	12.0
R5108.050-036	m 0.5	36	18.0	19.0	5	6	12	13	4	2xM 3	1.05	14.1
R5108.050-040	m 0.5	40	20.0	21.0	5	6	15	13	4	2xM 4	1.20	20.0
R5108.050-045	m 0.5	45	22.5	23.5	5	6	15	13	4	2xM 4	1.39	23.3
R5108.050-048	m 0.5	48	24.0	25.0	5	6	15	13	4	2xM 4	1.51	25.5
R5108.050-050	m 0.5	50	25.0	26.0	5	6	15	13	4	2xM 4	1.59	27.0
R5108.050-054	m 0.5	54	27.0	28.0	5	6	15	13	4	2xM 4	1.74	30.3
R5108.050-056	m 0.5	56	28.0	29.0	5	6	15	13	4	2xM 4	1.82	32.0
R5108.050-060	m 0.5	60	30.0	31.0	5	8	18	13	4	2xM 4	1.98	38.2
R5108.050-064	m 0.5	64	32.0	33.0	5	8	18	13	4	2xM 4	2.14	42.0
R5108.050-070	m 0.5	70	35.0	36.0	5	8	18	13	4	2xM 4	2.38	48.3
R5108.050-072	m 0.5	72	36.0	37.0	5	8	18	13	4	2xM 4	2.46	50.5
R5108.050-075	m 0.5	75	37.5	38.5	5	8	18	13	4	2xM 4	2.58	53.9
R5108.050-080	m 0.5	80	40.0	41.0	5	10	22	13	4	2xM 5	2.78	64.3
R5108.050-090	m 0.5	90	45.0	46.0	5	10	22	13	4	2xM 5	3.18	77.5
R5108.050-100	m 0.5	100	50.0	51.0	5	10	25	13	4	2xM 5	3.58	98.9
R5108.050-120	m 0.5	120	60.0	61.0	5	10	25	13	4	2xM 5	4.39	133.2