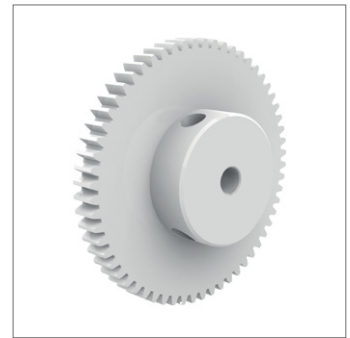
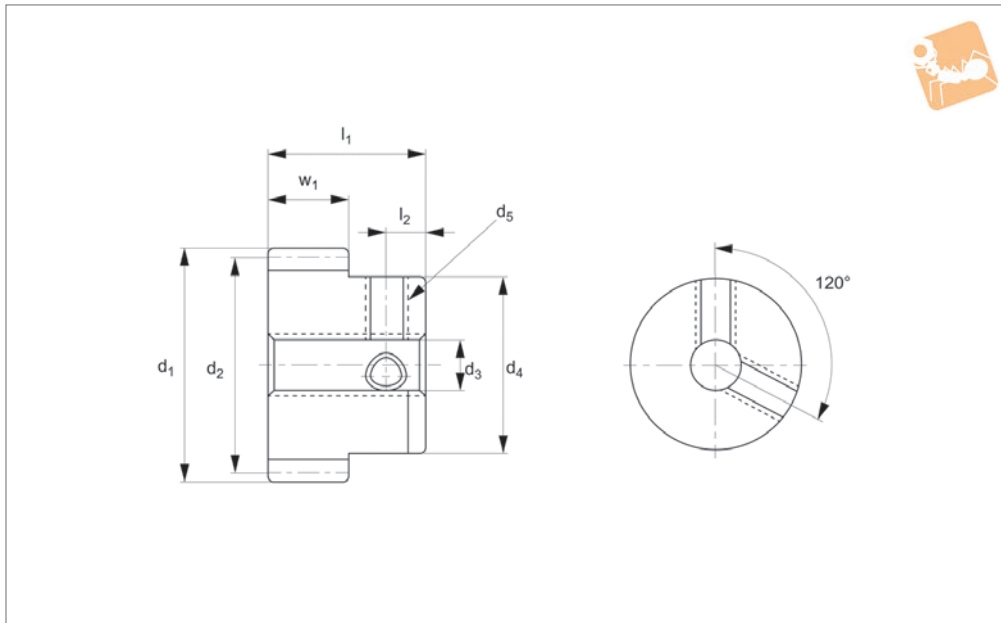




Spur Gears - Module 0.5 - Plastic

white - set screw - 20-120 teeth



R5113

STANDARD SPUR GEARS

Material

White polyacetal, machined.
Accuracy to JIS B 1702-1 (ISO) class 9-10.
Steel set screw.

Technical Notes

20° pressure angle, full depth tooth.

Amount of backlash when assembling gears = 0,01 - 0,03mm.

Tips

Module 0.5 for gears with 20-120 teeth see R5112.
Max. allowable torque (Nm) is based on

standard operating conditions (see technical pages) with a safety factor of 1.2. For non standard applications apply a suitable safety factor depending on frequency of use, type of working etc.

Order No.	Module	No. of teeth z	Pitch dia. d ₁	d ₂	w ₁	d ₃ tol. H9	d ₄	l ₁	l ₂	Thread d ₅	Torque Nm max.	Weight g
R5113.050-020	m 0.5	20	10.0	11.0	3	3	8	8	3	2xM 3	0.11	0.57
R5113.050-024	m 0.5	24	12.0	13.0	3	3	10	8	3	2xM 3	0.17	0.90
R5113.050-028	m 0.5	25	12.5	13.5	3	3	10	8	3	2xM 3	0.17	0.94
R5113.050-030	m 0.5	28	14.0	15.0	3	3	12	8	3	2xM 3	0.19	1.30
R5113.050-032	m 0.5	30	15.0	16.0	3	3	12	8	3	2xM 3	0.21	1.39
R5113.050-034	m 0.5	32	16.0	17.0	3	3	14	8	3	2xM 3	0.22	1.77
R5113.050-036	m 0.5	36	18.0	19.0	3	3	15	8	3	2xM 3	0.25	2.15
R5113.050-040	m 0.5	40	20.0	21.0	3	3	15	8	3	2xM 3	0.28	2.40
R5113.050-045	m 0.5	45	22.5	23.5	3	3	15	8	3	2xM 3	0.31	2.75
R5113.050-050	m 0.5	50	25.0	26.0	3	3	15	8	3	2xM 3	0.35	3.15
R5113.050-056	m 0.5	56	28.0	29.0	3	3	15	8	3	2xM 3	0.39	3.67
R5113.050-060	m 0.5	60	30.0	31.0	3	3	15	8	3	2xM 3	0.42	4.06
R5113.050-064	m 0.5	64	32.0	33.0	3	3	15	8	3	2xM 3	0.44	4.47
R5113.050-070	m 0.5	70	35.0	36.0	3	4	16	8	3	2xM 3	0.49	5.25
R5113.050-072	m 0.5	72	36.0	37.0	3	4	16	8	3	2xM 3	0.50	5.48
R5113.050-080	m 0.5	80	40.0	41.0	3	4	16	8	3	2xM 3	0.55	6.49
R5113.050-090	m 0.5	90	45.0	46.0	3	5	18	8	3	2xM 3	0.62	8.20
R5113.050-100	m 0.5	100	50.0	51.0	3	5	18	8	3	2xM 3	0.69	9.77
R5113.050-120	m 0.5	120	60.0	61.0	3	5	18	8	3	2xM 3	0.83	13.43